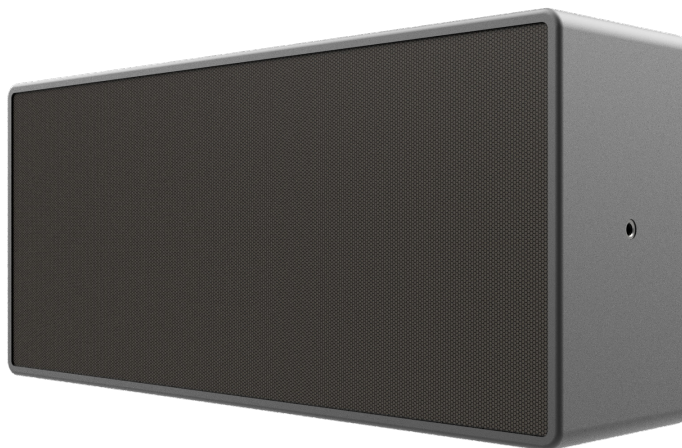


# AS6



## OVERVIEW

### FEATURES

- › **Unibody HCDF Technology\***
- › **Ultra-Slim stylish design**
- › **6" woofer + 6" passive radiator**
- › **IP X4 protection rating\*\***
- › **RAL code customizable**

### APPLICATIONS

- › **Lounge Bar / Restaurant**
- › **Houses of Worship**
- › **Museums**
- › **Residential**
- › **Conference**
- › **Discrete installations**

\* Single moulded unit forming the enclosure, made of HCDF (Hydrophobic Compact Density Fiber)

\*\* Optional

AS6 subwoofer system has been specifically designed to extend the architectural series low-end. Featuring high-grade components and the same research for detail and design that distinguishes this series, the AS6 ensures equal tonal balance and voicing and delivers deep and agile, pristine bass-end whether used in as home cinema or a stereo system.

Its design features a 6" high-power woofer and a passive radiator (122 dB max SPL down to 55 Hz), offering the advantage of being able to faithfully reproduce the lowest frequencies while keeping an ultra-low-profile dimension to match any architectural need.

The subwoofer can be used either floor standing or suspended with a dedicated bracket (sold separately), providing the AS6 with an even more versatile installation option.

Made of HCDF (Hydrophobic Compact Density Fiber), by default it is coated with black or white textured polyurethane paint that ensures toughest places operation and a very stylish and discreet look. While the grill, made of galvanised steel, features an epoxy powder coating to protect the front of the loudspeaker. Additionally, custom RAL colour options are available for perfect and seamless integration with any venue layout.

## TECHNICAL SPECIFICATIONS

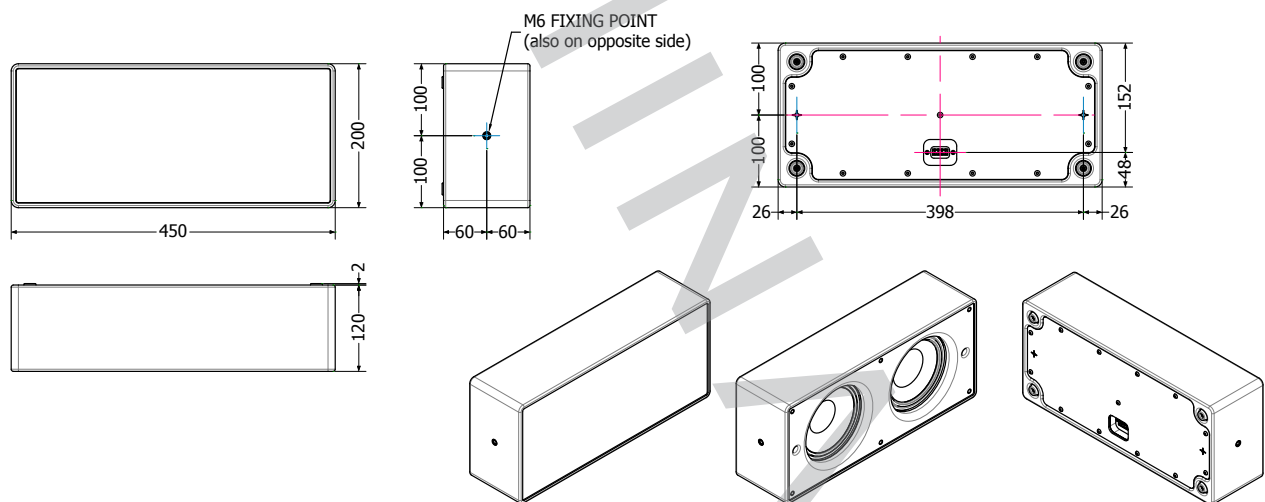
Frequency response (-10dB)	55 Hz - 300 Hz
Nominal Dispersion	Quasi-omnidirectional
Impedance (Nom/Min)	8 Ω / 7.4 Ω
Watt AES (Continuous/Peak)	200 W / 800 W
Maximum SPL Output *	122 *

\* calculated using +12 dB Crest Factor signal (AES 2012)

## PHYSICAL

Components	6" woofer + 6" passive radiator
Connectors	4-pin Euroblock
Cabinet Material	HCDF (Hydrophobic Compact Density Fiber)
Cabinet Finish	Black or White textured polyurethane paint (overpainted RAL colors on request)
Grill	Epoxy powder coated
Installation points	2 x M6
W x H x D	450 mm - 17 6/8" x 200 mm - 7 7/8" x 120 mm - 4 6/8"
Weight	6.5 kg - 14.3 lb

## DIMENSION



## ACCESSORIES