

Ai81



OVERVIEW

FEATURES

- › Unibody HCDF Technology*
- › Ultra-Slim stylish design
- › Outstanding intelligibility
- › 2-way Passive Speaker
- › IP X4 protection rating**
- › RAL code customizable

APPLICATIONS

- › Lounge Bar / Restaurant
- › Houses of Worship
- › Museums
- › Residential
- › Conference
- › Discrete installations

* Single moulded unit forming the enclosure, made of HCDF (Hydrophobic Compact Density Fiber)

** Optional

The Ai81 is a 2-way passive ultra-slim column loudspeaker specifically designed to ensure a minimal-discreet visual impact and an elegant design for an easy and seamlessly layout integration while ensuring the sound quality for which Outline has always been recognized.

This tiny, modular, externally powered loudspeaker provides the best performance when installed on a flat surface. It features eight 1" neodymium magnet driver and one 0.7" treated silk dome tweeter producing a wide nominal dispersion and a maximum SPL peak of 116 dB.

With a nominal impedance of 16 ohms and requiring only one single channel, it is possible to deploy up to eight Ai81 with just one single amplification channel on a parallel cost-saving installation solution.

Also, a passive crossover (manufactured with top-grade components) takes care to split the LF and HF and provides single and double protection for the drivers (LF and HF respectively).

All the above enclosed in a compact, refined and elegant design weighting just 0.85 kg (1.85 lb).

The cabinet, in HCDF (Hydrophobic Compact Density Fiber), is coated with polyurethane paint ensuring the correct operation even in the toughest places; while the grill, made of galvanized steel, features an epoxy powder coating. Custom RAL colour options are available to perfectly match any architectural layout.

TECHNICAL SPECIFICATIONS

Frequency response (-10dB)	285 Hz - 20 kHz
Nominal Dispersion (H)	160°
Nominal Dispersion (V)	40°
Impedance (Nom/Min)	16 Ω / 15ΩLF - 7ΩHF Ω
Watt AES (Peak) *	320 W *
Maximum SPL Output **	116 **

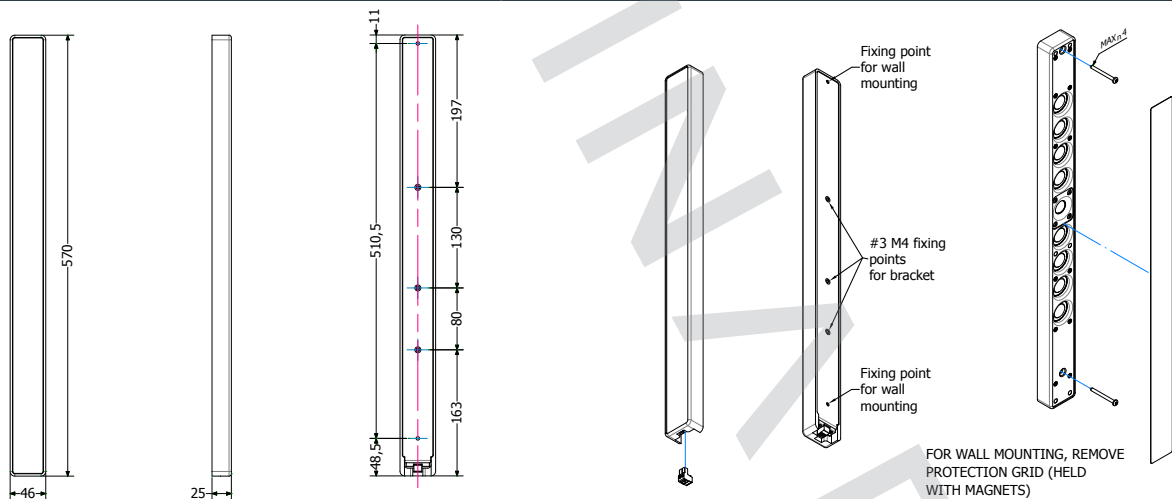
* according to AES2-2012 (+12 dB) standard

** calculated using +12 dB Crest Factor signal (AES2-2012)

PHYSICAL

Component Low	8 x 1" neodymium magnet wide range driver
Component High	0.7" treated silk dome tweeter
Connectors	2-pin Euroblock
Cabinet Material	HCDF (Hydrophobic Compact Density Fiber)
Cabinet Finish	Black or White textured polyurethane paint (overpainted RAL colors on request)
Grill	Epoxy powder coated
Installation points	2 through holes diam. 4 mm on front / 3 x M5 on back
W x H x D	46 mm - 1 6/8" x 570 mm - 22 4/8" x 25 mm - 1"
Weight	0.85 kg - 1.85 lb

DIMENSION



ACCESSORIES

Ai-WALL1

Tiltable Wall mount

Wall mount with gradual inclination

