



NG01

NOISE GENERATOR



USER MANUAL

SAFETY REGULATIONS

In order to avoid risks for the user's and other people's safety, as well as annulling the warranty, it is advisable to read the suggestions in this section for correct use of the product.

- Do not expose the unit to rain or use it in locations with a high humidity level.
- Ensure that no liquids or solid objects accidentally enter the unit; should this occur, stop using the unit and contact OUTLINE or specialist staff.
- When connecting the unit, ALWAYS check ground connection as required by technical and safety norms.

- If the original connector cable is worn or damaged, it must be replaced with another of the same type (in perfect condition).
- Carry out connections in an orderly manner, only allowing access to experienced specialist staff.
- The unit must only be opened and/or repaired by specialist staff.
- For any requirements of a technical nature, contact OUTLINE or authorized staff.
- The unit is dedicated to moving heavy or bulk objects. For this reason, it must be used under the supervision of experienced personnel.

DISPOSAL OF WASTE MATERIALS



Your product is designed and manufactured with high quality materials and components, which can be recycled and reused. When this crossed-out wheeled bin symbol is attached to a product, it means the product is covered by the European Directive 2012/19/EU and subsequent amendments. This means that the product must NOT be disposed of with other household-type

waste. It is the users' responsibility to dispose of their waste electrical and electronic equipment by handing it over to an approved reprocessor. For more information about where you can send your equipment for recycling, please contact your local distributor. The correct disposal of your old product will help prevent potential negative consequences for the environment and human health.

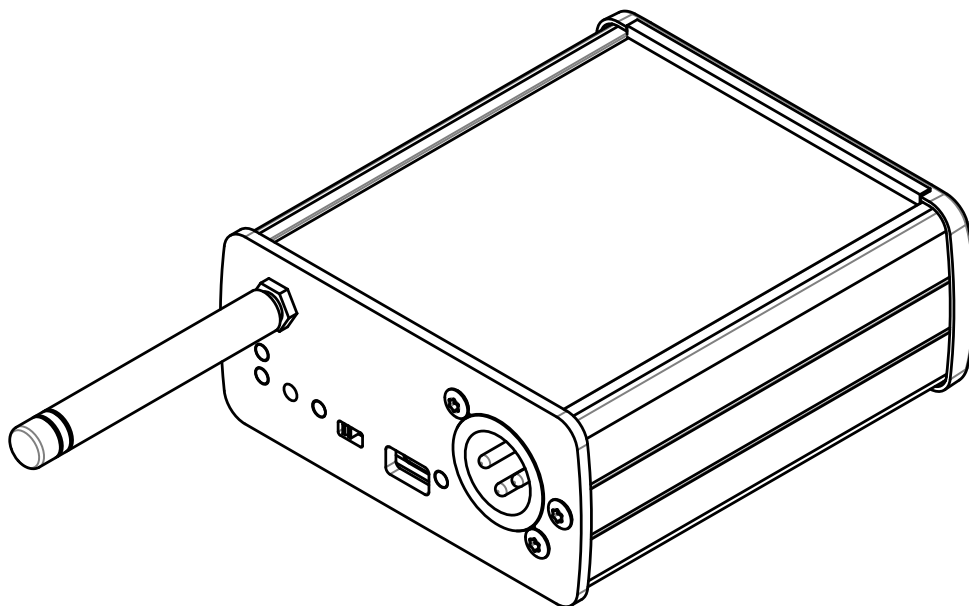
CONFORMITY AND WARRANTY



All the Outline electro-acoustic and electronic devices are in conformity with the provisions of EC/EU directives (as stated in our CE declaration of conformity).

The CE declaration of conformity is attached to the product warranty certificate and is shipped with the product.

SYSTEM DESCRIPTION



The Outline NG01 is a noise generator that can be controlled with a radio remote control.

The device can deliver White or Pink noise with XLR balanced Output and therefore it can be the

perfect companion to our new Globe Source Radiator measurement kit.

The device is powered by a USB-C cable.

UNPACKING

After unpacking the device, check very carefully for any damage. If any damage is found, please notify your dealer.

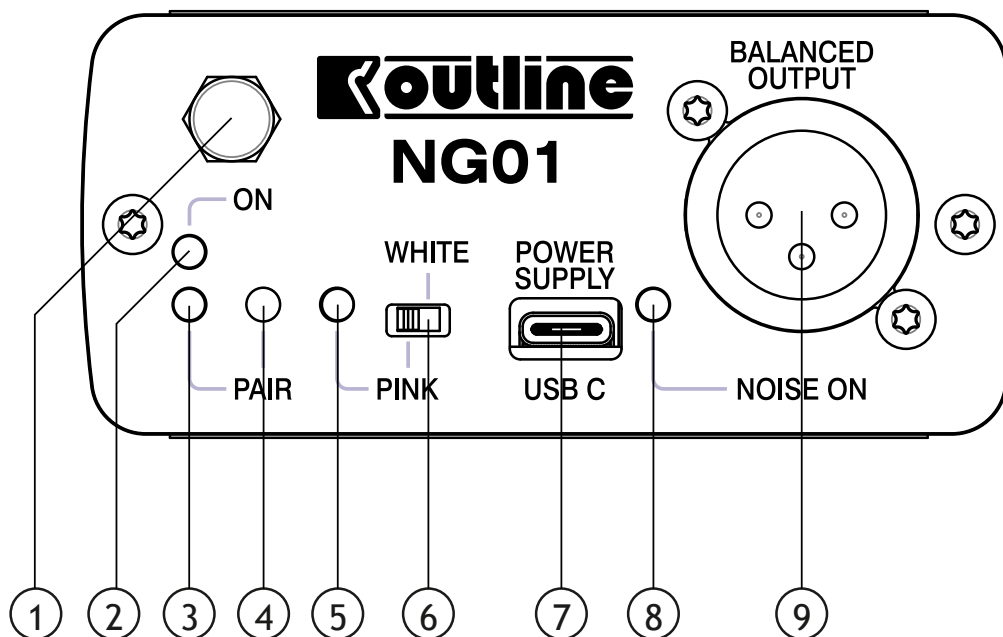
It is advisable to keep the packaging for use in the event of the unit being transported in the future.

The Outline NG01 unit is supplied with the

following accessories:

- Antenna
- Radio control
- USB-C Power Supply cable
- Warranty certificate
- Operating manual

FRONT PANEL



1. Antenna;
2. Power LED;
3. Pairing LED;
4. Pairing procedure button;
5. Pink noise selected LED;

The Outline NG01 is powered by simply plugging in the USB-C cable (7), as you can see from the Power LED (2).

The Output signal is disabled: to turn it on it is necessary to press the button 1 of the remote control. When the output signal is present the 'NOISE ON' LED (8) lights up.

To turn off the output signal press button 2 on the remote control.

6. White/Pink noise switch;
7. USB-C Power Supply connector;
8. Output signal monitoring LED
9. XLR Balanced Output

Buttons 3 and 4 are not used.

For better and stable performance of the output noise it is recommended to wait about two minutes. It is possible to select at any time between White and Pink noise using the PINK / WHITE slide switch (6).

The 'PAIR' button (4) allows you to pair the transmitter and receiver in case of battery change or connection loss.

PAIRING PROCEDURE

The device is supplied with transmitter-receiver pairing already carried out.

In case of battery replacement, new remote control or other unintentional loss of pairing it is necessary to proceed according to the following procedure:

- 1.** Turn on the generator;
- 2.** Press and release the 'PAIR' button with a small screwdriver, the LED 'PAIR' will blink once;
- 3.** Press the button 1 on the transmitter (remote control) near the antenna for a few seconds;
- 4.** Reboot the device (via USB-C cable);
- 5.** Press and release the 'PAIR' button, wait 3 seconds and press it again, the LED 'PAIR' will blink twice;
- 6.** Press the button 2 on the transmitter for a few seconds;
- 7.** Reboot the device and check for correct operation.

TECHNICAL SPECIFICATIONS

AUDIO

Output	Balanced
White Noise Level	0 dBu
Pink Noise Level	3 dBu
Output Impedance	680 Ω

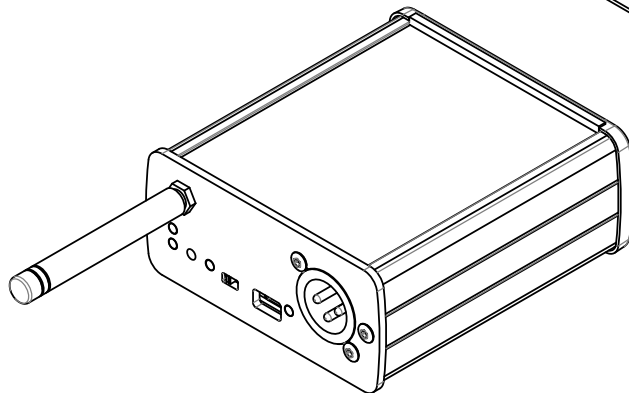
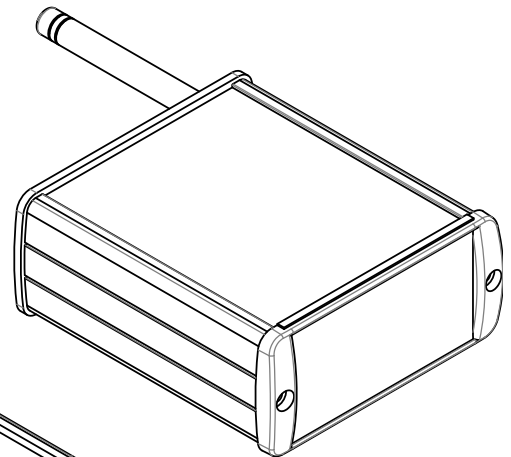
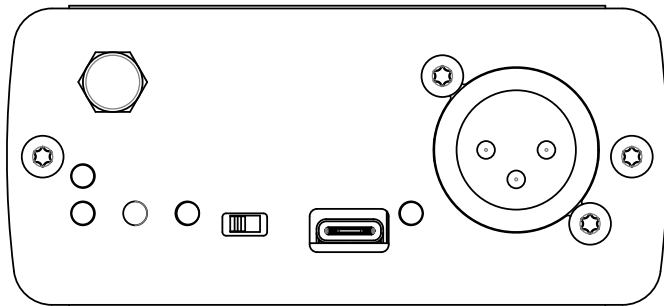
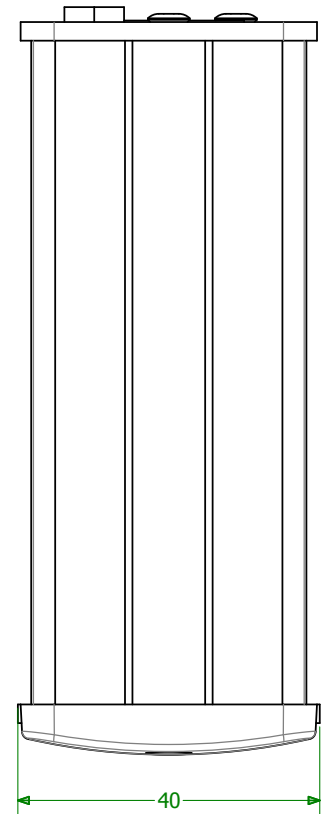
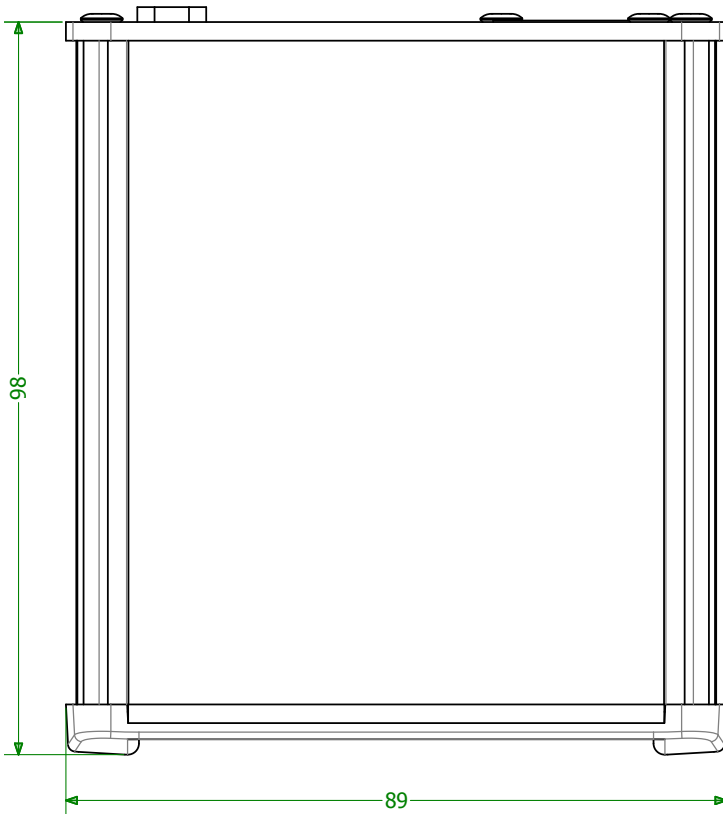
RADIO

Tx Power	10 dBm
Rx Sensitivity	-116 dBm
Carrier Frequency	433.92 MHz
Range	Up to 75 m
Button Cell	CR-2032

PHYSICAL

Height	40 mm
Width	89 mm
Depth	98 mm (Without Antenna)
Weight	224 g

OVERALL DIMENSIONS





Outline carries out on-going research for product improvement. New materials, manufacturing methods and design upgrades are introduced to existing products without prior notice as a routine result of this philosophy. For this reason, any current Outline product may differ in some aspect from its description, but will always equal or exceed the original design specifications unless otherwise stated.

© Outline 2021
Operating manual product code: Z OMNG01
Release: 20210909
Printed in Italy