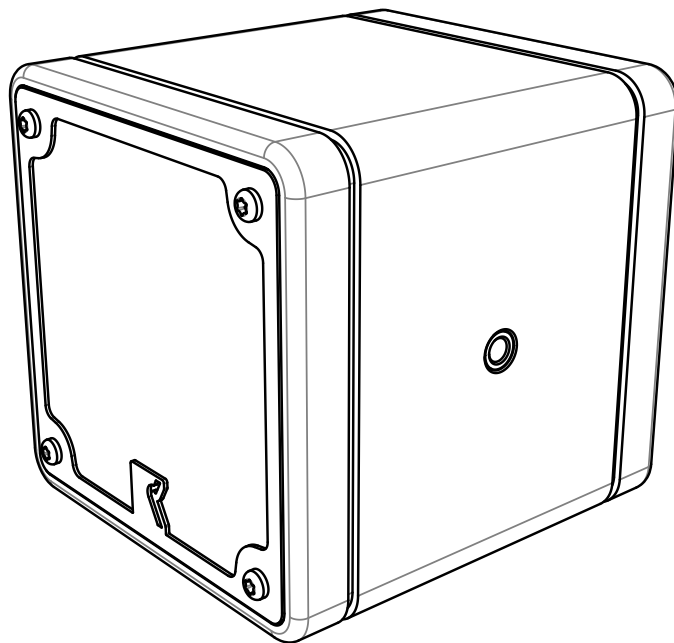




# VEGAS 4

Miniature Loudspeaker



USER MANUAL

## SAFETY REGULATIONS

In order to avoid risks for the user's and other people's safety, as well as annulling the warranty, it is advisable to read the suggestions in this section for correct use of the product.


This unit was designed as part of a sound reinforcement or audio recording system.

Any use other than that foreseen by the manufacturer is carried out under the sole responsibility of the user.

- Do not expose the unit to rain.
- Do not use the unit in locations with a high humidity level or near water.
- Do not allow any type of liquid or solid object to enter the unit; should this occur, stop using the unit and contact an authorized assistance centre as soon as possible.
- The unit must ONLY be connected to the amplified output of an amplifier, a powered mixer or another unit with this type of output (e.g. a self-powered loudspeaker enclosure with an amplified auxiliary output). A suitable power cable in compliance with current safety norms must be used to connect the unit.


- The amplifier connected to the unit must only be switched on after having connected and switched on all the other components of the sound reinforcement/recording system, to avoid annoying noises that can sometimes damage the loudspeakers.
- The unit must only be moved when the cables are disconnected.
- Only dedicated accessories, specifically designed for the system, or any standard accessories foreseen may be used when installing.
- The mechanical operation of the product and the accessories used must be checked periodically.
- This unit produces high sound pressure levels that can damage hearing if listened to under incorrect conditions.
- The unit must only be opened and/or repaired by specialist staff.
- For any requirements of a technical nature, contact OUTLINE or authorized staff.

## DISPOSAL OF WASTE MATERIALS

 Your product is designed and manufactured with high quality material and components, which can be recycled and reused. When this crossed-out wheeled bin symbol is attached to a product, it means the product is covered by the European Directive 2002/96/EC and subsequent amendments. This means that the product must NOT be disposed with other waste. It is the user's

responsibility to dispose of their electrical and electronic equipment by handing it over to an approved re-processor. For more information about where you can send your equipment for recycling, please contact your local distributor. The correct disposal of your old product will help prevent potential negative consequences for the environment and human health.

## CONFORMITY

 All the Outline electroacoustic and electronic devices are in accordance with the objects stated by below CEE directives:

The CE declaration of conformity is attached to the product warranty.

## SYSTEM DESCRIPTION

VEGAS 4 is a miniature, externally powered loudspeaker ideal for high quality distributed sound systems and short-throw applications.

The loudspeaker features a single 4"-inch ferrite magnet woofer mounted in a sealed box, providing a full range frequency response from a single diaphragm which deliver the best phase coherence, optimal vocal presence, intelligibility and clarity. Only high quality Italian made components are used in this low distortion loudspeaker.

The cabinet is coated with a high-tech black

textured polyurea scratch-free finish and the grill has an epoxy powder coating. Custom RAL colour repainting options are available for installations with specific cosmetic requirements.

The ultra compact, high tensile strength, lightweight enclosure is equipped with two NL4 speakON connectors, with selectable input pins via a switch on the rear panel, and a 4-pin Euroblock connector. Both connectors offer production quality pass thru for multiple loudspeakers in parallel.

## AMPLIFIER CONNECTION

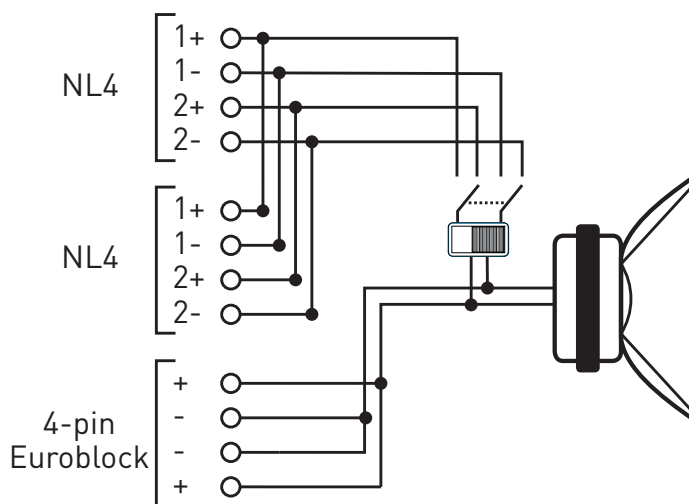
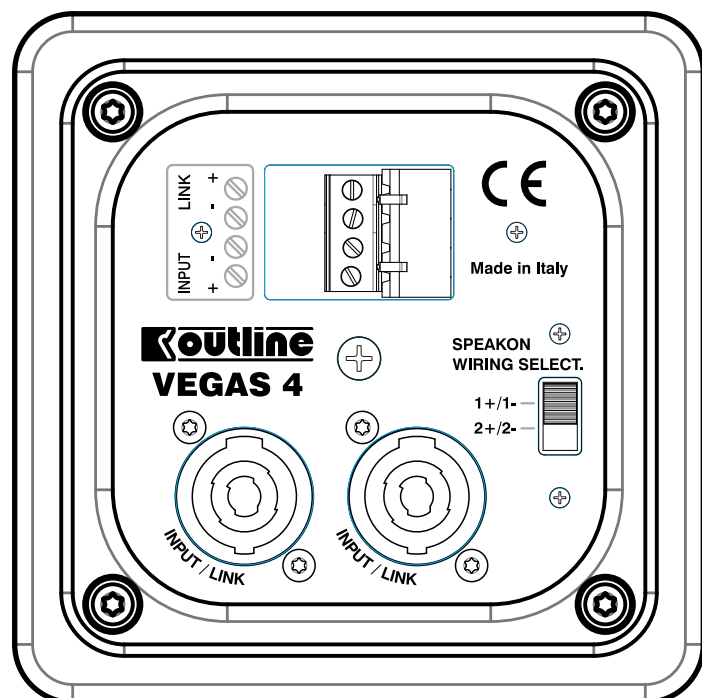
Vegas 4 is using one driver. The unit requires just one amplification channel. The connections are available on:

- two NL4 connectors, with a switch to select which speakON poles to use (1+/1- or 2+/2-) in order to simplify the connection between various elements through the same cable. For example multiple loudspeakers can be wired on a 4-pole cable and then divide the

load on two amplification channels just by acting on the switch;

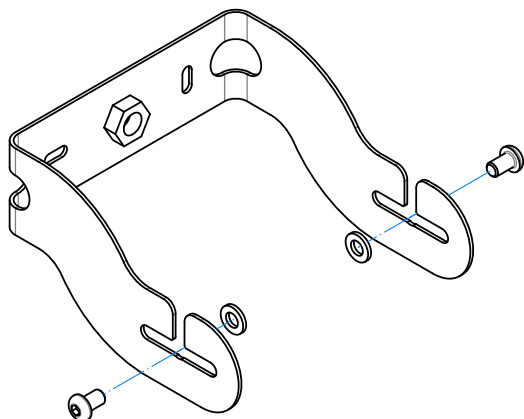
- a 4-pin Euroblock socket, that is independent from the switch and therefore it always works with the same poles.

Both connectors are in parallel to facilitate wiring on portable and installed systems. The system shall be used with the suggested Outline amplifier and presets DSP.



## RIGGING INSTRUCTIONS

This system offers two M6 threaded inserts, one on each side, which allow to properly use rigging bracket to hang the speaker.



Always place the washers between the cabinet and the bracket, as shown in the figure.

There is another M4 threaded insert on the center of the rear panel to use weatherproof cable protection or safety cable attachments. Please note that for this insert screws longer than 25 mm cannot be used and it must always be covered, when it is not used, to protect the loudspeaker from dust or anything else.

The bracket has rails in correspondence with two inserts to perfectly fit the cabinet in any case and a M10 threaded insert for stand mounting.



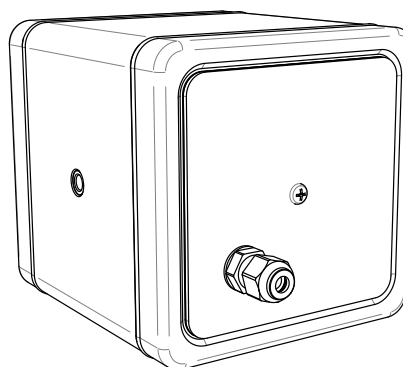
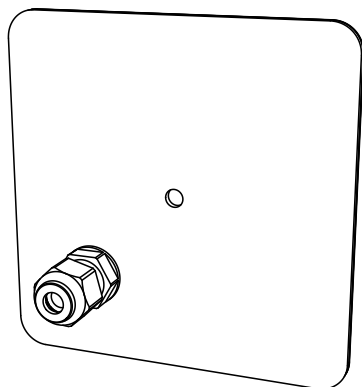
## ACCESSORIES

A weatherproof cable protection plate (WPCON-04 - optional) is available to ensure the normal operation also in extreme conditions (IP55).

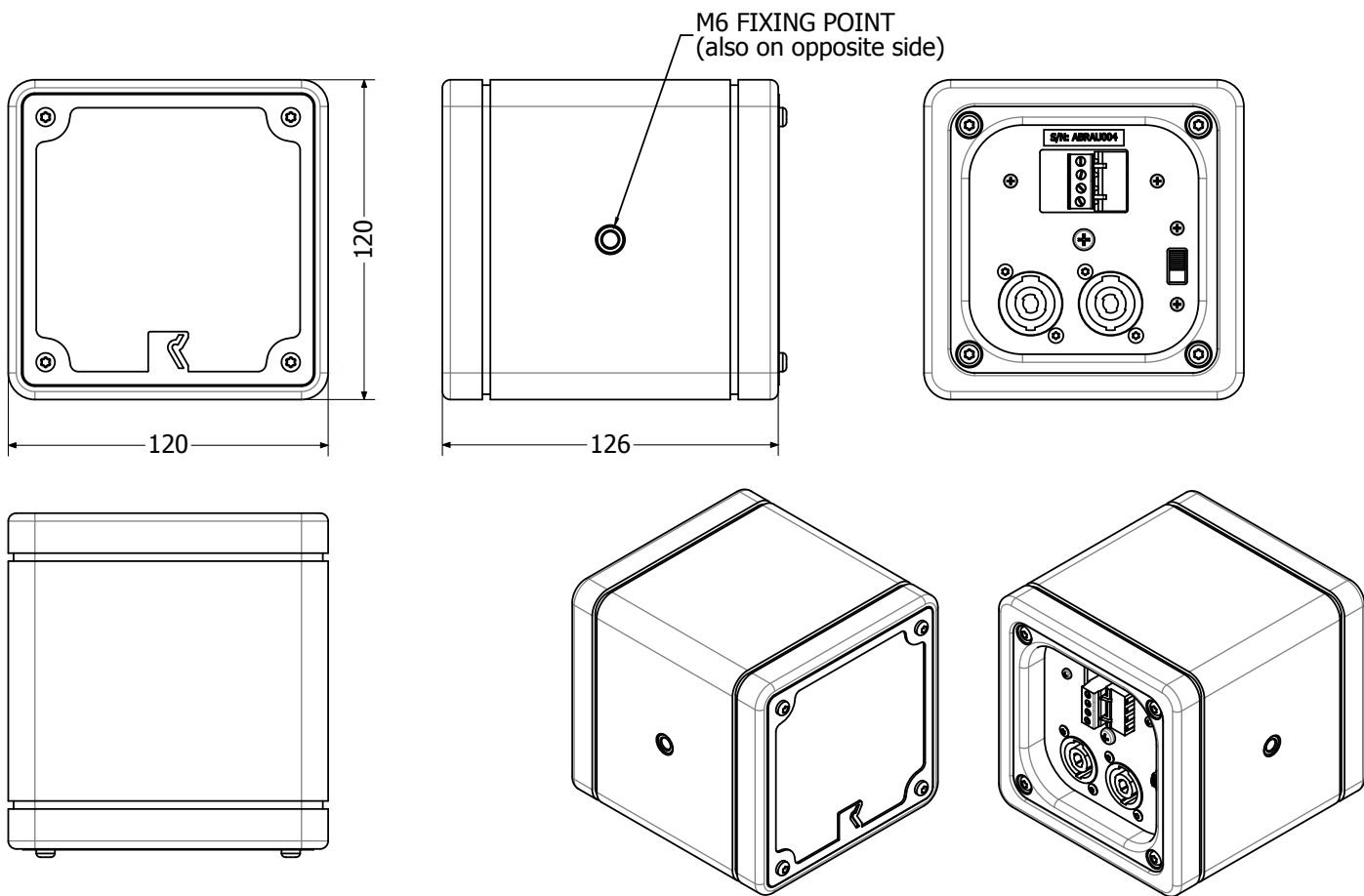
Attach the neoprene gasket following the outline of the cap.

Beware to start and finish on the bottom edge.

Pass the wires through the cable glands before installing the accessory, then fix the plate and secure the screw (no longer than 25 mm) into the threaded insert in the center of the rear panel as shown in the picture.



## OVERALL DIMENSIONS



## TECHNICAL SPECIFICATIONS

### TECHNICAL SPECIFICATIONS

<b>Frequency response (-10dB)</b>	110 Hz - 17 kHz
<b>Nominal Dispersion</b>	Axisymmetric 60° (average above 3 kHz)
<b>Impedance (Nom/Min)</b>	16 Ω / 12.7 Ω
<b>Watt AES (Continuous/Peak)</b>	70 W / 280 W
<b>Maximum SPL Output *</b>	118 dB

\* calculated using +12 dB Crest Factor signal (AES2-2012), Free Field

### PHYSICAL

<b>Component</b>	4" High Power & Dispersion Fullrange Speaker
<b>Loading</b>	Sealed Box
<b>Connectors</b>	2 x NL4 (Switchable $\pm 1/\pm 2$ ) - 1 x 4-pin Euroblock
<b>Cabinet Material</b>	HCDF (Hydrophobic Compact Density Fiber)
<b>Cabinet Finish</b>	Black Polyurea coating (overpainted RAL colors on request)
<b>Grill</b>	Epoxy Powder coated
<b>Installation points</b>	2 x M6 + 1 x M10 on bracket
<b>H x W x D</b>	120 mm - 4 6/8" x 120 mm - 4 6/8" x 126 mm - 5"
<b>Weight</b>	1.6 Kg - 3.5 lb

## APPENDIX - PERIODIC CONTROLS

All the loudspeakers, before the shipment, are fully tested at the end of the production line, but before the system is installed an overall check shall be performed to ensure that the system has not been

damaged during the shipment. Periodic controls shall be performed at regular time intervals. The following table represents an ideal check.

Loudspeaker Serial Number:				Position:				
Date								
Transducers Impedance								
Loudspeaker cabinet								
Loudspeaker grills								
Screws								
Additional notes								
Signature								



Outline carries out on-going research for product improvement. New materials, manufacturing methods and design upgrades are introduced to existing products without prior notice as a routine result of this philosophy. For this reason, any current Outline product may differ in some aspect from its description, but will always equal or exceed the original design specifications unless otherwise stated.

© Outline 2022  
Operating manual product code: Z OMVEGAS4  
Release: 20220329  
Printed in Italy