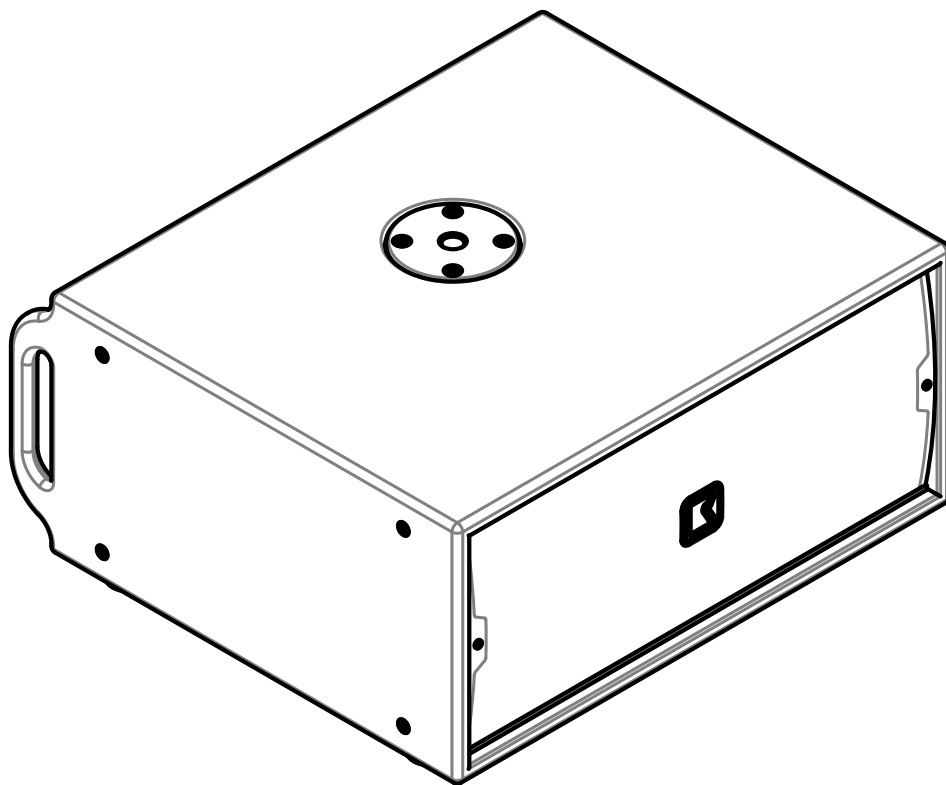


ROUTINE

SUB110

Super-compact subwoofer



USER MANUAL

SAFETY REGULATIONS



Please read this manual carefully and in its entirety. It contains important information regarding safety issues, including guidelines for general safe use of rigging systems as well as advisories on government regulations and liability laws. The suspension of large, heavy objects in public places is subject to numerous laws and regulations at the

national/federal, state/provincial, and local levels. The user must assume the responsibility for making sure that the use of any rigging system and its components in any particular circumstance or venue conform to all applicable laws and regulations in force at the time.

GENERAL SAFETY RULES


- Carefully read this manual in all its parts
- Respect the working load limits and maximum configurations of the elements and of any third-party component (such as suspension points, motors, rigging accessories, etc...)
- Do not incorporate any accessory not provided by Outline; all damaged or defective components must be replaced only by equivalent parts approved by Outline
- Ensure personnel health and safety, ensure that no one is standing under the system during the installation, ensure that all personnel involved in the installation are equipped with personal safety devices
- Always double check that the elements are correctly connected before suspending the system.

DISPOSAL OF WASTE MATERIALS

 Your product is designed and manufactured with high quality materials and components,  which can be recycled and reused. When this crossed-out wheeled bin symbol is attached to a product, it means the product is covered by the European Directive 2012/19/EU and subsequent amendments. This means that the product must NOT be disposed of with other household-type waste. It is

the users' responsibility to dispose of their waste electrical and electronic equipment by handing it over to an approved reprocessor. For more information about where you can send your equipment for recycling, please contact your local distributor. The correct disposal of your old product will help prevent potential negative consequences for the environment and human health.

CONFORMITY AND WARRANTY

 All the Outline electro-acoustic and electronic devices are in conformity with the provisions of EC/EU directives (as stated in our CE declaration of conformity).

The CE declaration of conformity is attached to the product warranty certificate and is shipped with the product.

SYSTEM DESCRIPTION

SUB110 is a subwoofer system for low frequencies reproduction. Single-way, high power, short throw.

The cabinet is constructed with high quality baltic birch plywood with black polyurea coating and a sturdy grill. The compact nature of this cabinet allows installation within the tightest of places, it can be easily tucked under bench seating.

Based on a dual-port band-pass design and utilising a single 10" drive-unit the SUB110 can faithfully reproduce the lower frequencies down to 39 Hz and up to a peak SPL of 132.5 dB.

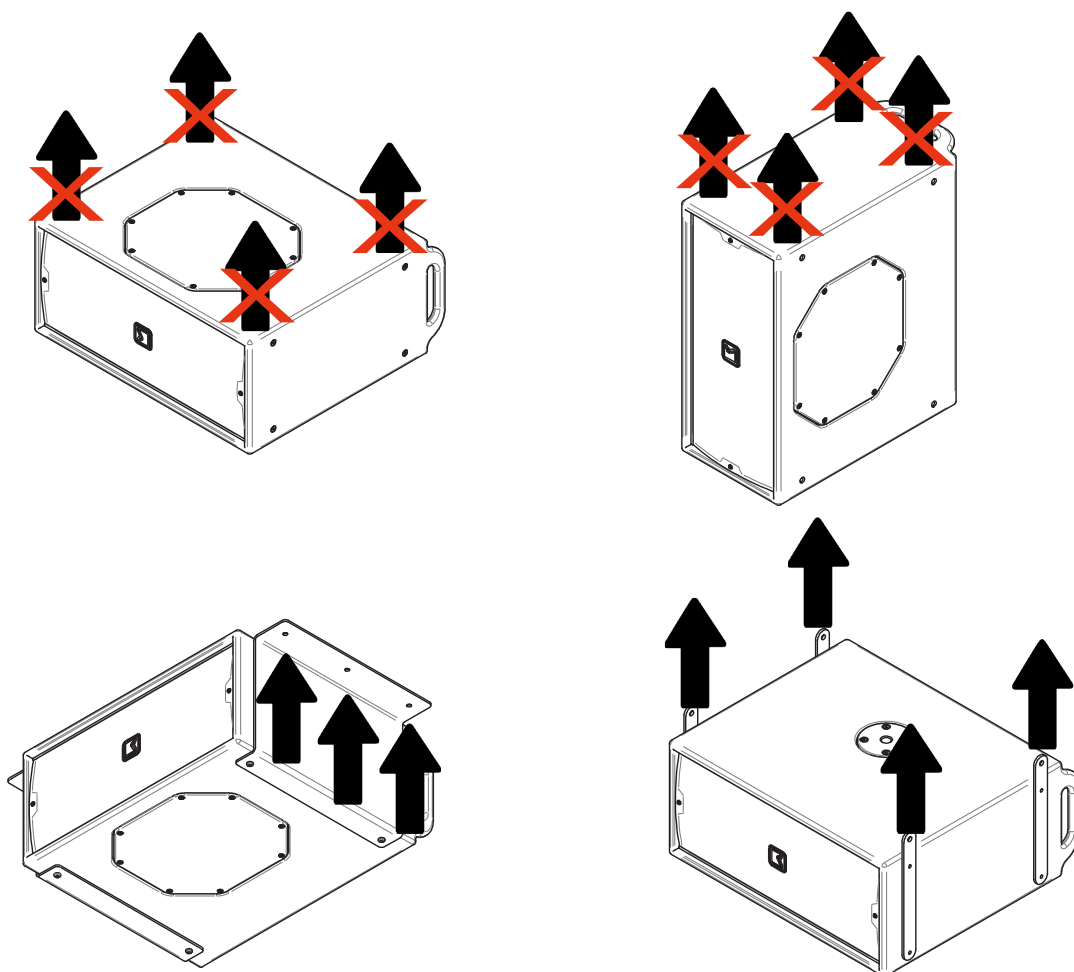
It's an ideal partner for all Outline compact point-source system such as Vegas 24, Vegas 6.5, Vegas 8 CX, DVS Series.

INSTALLATION POINTS

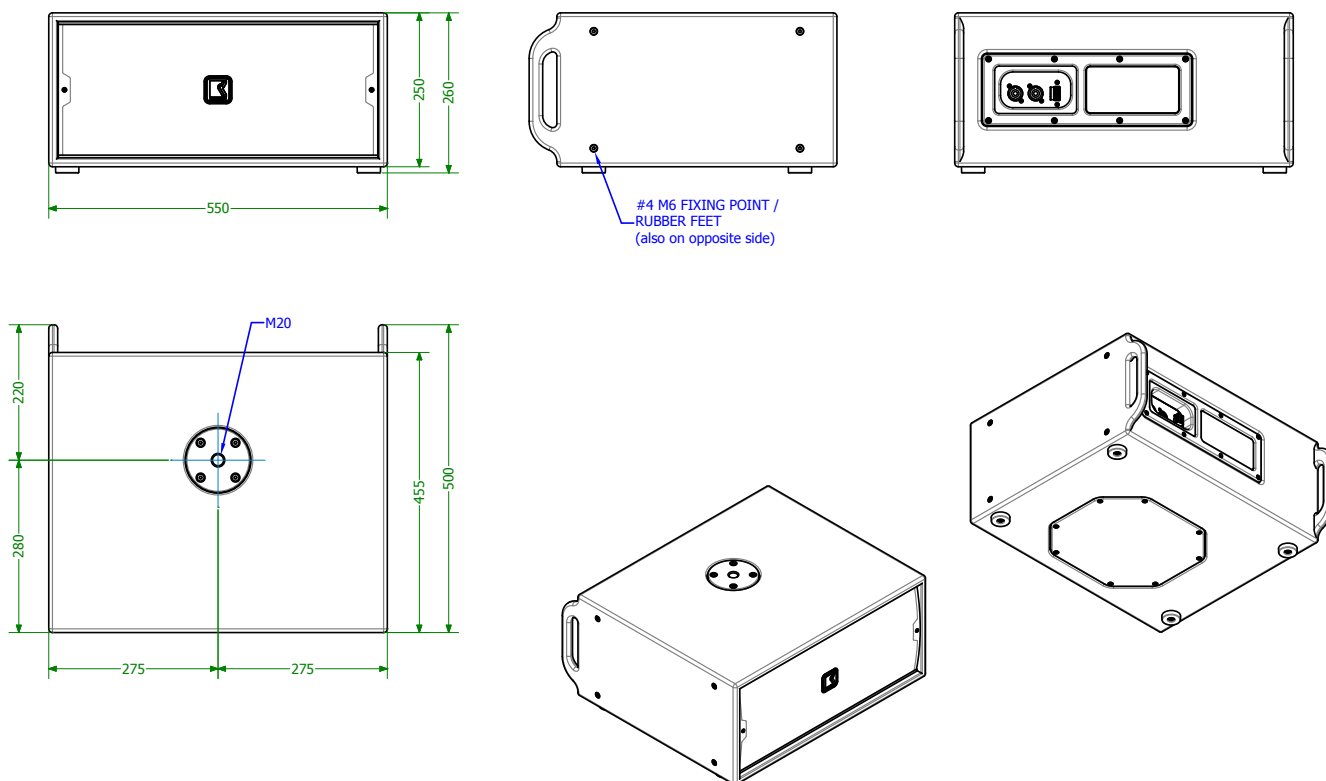
The loudspeaker has an M20 threaded point to be used with a loudspeaker stand. It is always recommended to respect the stated limits when using any accessory.

The lightweight cabinet offers a few rigging possibilities:

12 female M6 threaded flying points are available for multiple purpose. Please notice that is not possible to hang up the unit directly from the threaded points but the system needs an appropriate accessory as shown in the following picture.



OVERALL DIMENSIONS



TECHNICAL SPECIFICATIONS

PERFORMANCE SPECIFICATIONS

Frequency Response (-10 dB)	39 Hz – 100 Hz (LP100 preset)
Nominal Dispersion	Quasi-Omnidirectional
Impedance (Nom/Min)	8 Ω / 6.1 Ω
Watt AES (Continuous/Peak)	350 W / 1400 W
Maximum SPL Output *	132.5 dB SPL (LP100 preset)

* calculated using +10 dB Crest Factor signal @ 1 m, Half space

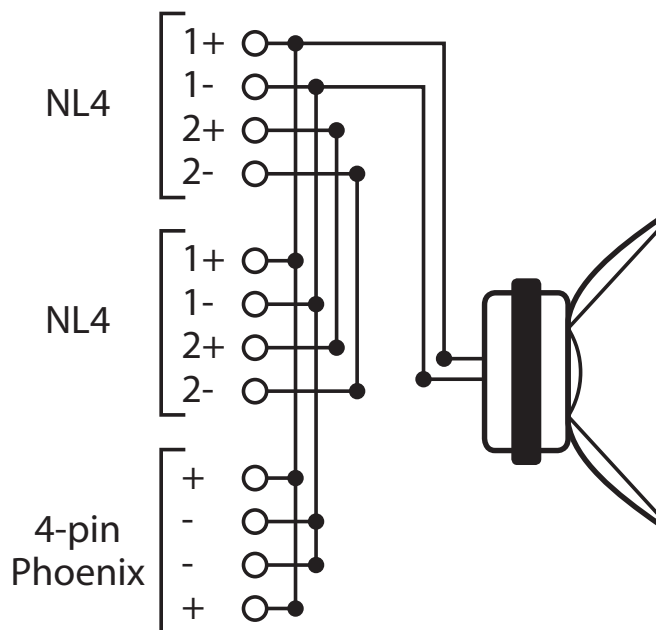
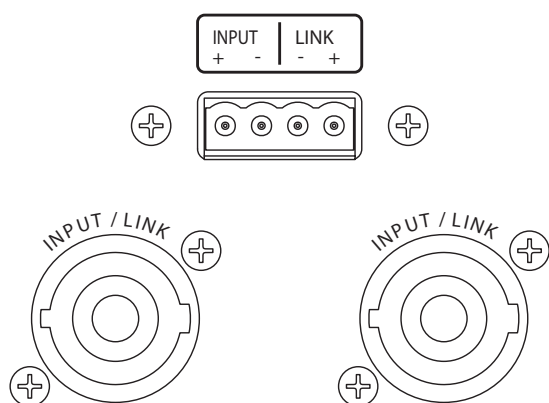
PHYSICAL

Component	1 x 10"
Connectors	2 x NL4 Pins 1+/1-, 4PIN Phoenix
Cabinet Material	Baltic birch plywood
Cabinet Finish	Black polyurea coating
Grill	Epoxy powder coated steel
Installation Points	12 x M6 threaded points
Pole Mount	1 x M20 threaded point
Height	260 mm – 10 1/8"
Width	550 mm – 21 5/8"
Depth	500 mm – 19 5/8"
Weight	21 kg – 46.3 lb

AMPLIFIER CONNECTION

Sub110 is using one 10" woofer. It requires just one amplification channel. The connections are available on two NL4 connectors (1+/1-) and on a 4-pin phoenix connector. Both connectors are in parallel to facilitate wiring on portable and installed systems.

A proper size amplifier and a processing platform are required to properly operate the loudspeaker system and achieve the best performance while controlling dynamics.



NOTES

APPENDIX - PERIODIC CONTROLS

All the loudspeakers, before the shipment, are fully tested at the end of the production line, but before the system is installed an overall check shall be performed to ensure that the system has not been

damaged during the shipment. Periodic controls shall be performed at regular time intervals. The following table represents an ideal check.

Loudspeaker Serial Number:				Position:				
Date								
Transducers Impedance								
Loudspeaker cabinet								
Loudspeaker grills								
Screws								
Additional notes								
Signature								



Outline carries out on-going research for product improvement. New materials, manufacturing methods and design upgrades are introduced to existing products without prior notice as a routine result of this philosophy. For this reason, any current Outline product may differ in some aspect from its description, but will always equal or exceed the original design specifications unless otherwise stated.

© Outline 2020
Operating manual product code: Z OMSUB110
Release: 20200904
Printed in Italy