

**ROUTINE**

# MOVIE MV2CX

Full-range System for Cinema



**USER MANUAL**

## SAFETY REGULATIONS

Please read this manual carefully and in its entirety. It contains important information regarding safety issues, including guidelines for general safe use of rigging systems as well as advisories on government regulations and liability laws. The suspension of large, heavy objects in public places is subject

to numerous laws and regulations at the national/federal, state/provincial, and local levels. The user must assume the responsibility for making sure that the use of any rigging system and its components in any particular circumstance or venue conform to all applicable laws and regulations in force at the time.


## GENERAL SAFETY RULES

- Carefully read this manual in all its parts
- Respect the working load limits and maximum configurations of the elements and of any third-party component (such as suspension points, motors, rigging accessories, etc...)
- Do not incorporate any accessory not provided by Outline; all damaged or defective components must be replaced only by equivalent parts approved by Outline
- Ensure personnel health and safety, ensure that no one is standing under the system during the installation, ensure that all personnel involved in the installation are equipped with personal safety devices
- Always double check that the elements are correctly connected before suspending the system.

The rigging elements are easy to use, however the installation shall be carried out only by qualified personnel that are familiar with the rigging techniques, safety recommendations and with the instructions described in this manual.

All mechanical components are subject to wear and tear over prolonged use as well as corrosive agents, impacts or inappropriate use. For this reasons users have the responsibility to adopt and adhere to a schedule of inspections and maintenance. Key components (screws, connecting pins, welded points, rigging bars) must be inspected before every use. Outline strongly recommends to carefully inspect the system components at least once a year, reporting in a written document the date, the name of the inspector, the points checked and any anomalies discovered.

## DISPOSAL OF WASTE MATERIALS

 Your product is designed and manufactured with high quality material and components, which can be recycled and reused. When this crossed-out wheeled bin symbol is attached to a product, it means the product is covered by the European Directive 2002/96/EC and subsequent amendments. This means that the product must NOT be disposed with other waste. It is the user's

responsibility to dispose of their electrical and electronic equipment by handing it over to an approved re-processor. For more information about where you can send your equipment for recycling, please contact your local distributor. The correct disposal of your old product will help prevent potential negative consequences for the environment and human health.

## CONFORMITY AND WARRANTY

**CE** All the Outline electro-acoustic and electronic devices are in accordance with objects stated by CEE/EU directives.

The CE declaration of conformity and the warranty are printed on a document that is shipped with the product.

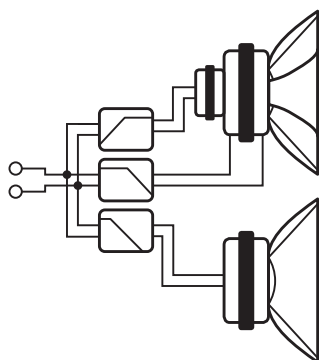
## AMPLIFIER CONNECTION

Movie MV2CX mounts a 15" bass woofer, a 15" mid-low woofer and a 3" diaphragm compression driver. The two woofers are bass loaded and the compression driver is horn loaded and is coaxial to the mid-woofer. The internal cross-over allows this loudspeaker to be fully driven by a single amplifier channel. The system features a two-and-a-half-way cross-over, which means a high-pass section for the compression driver, a low-pass section for the mid-

low woofer and another low-pass section (tuned at a lower frequency) for the bass woofer.

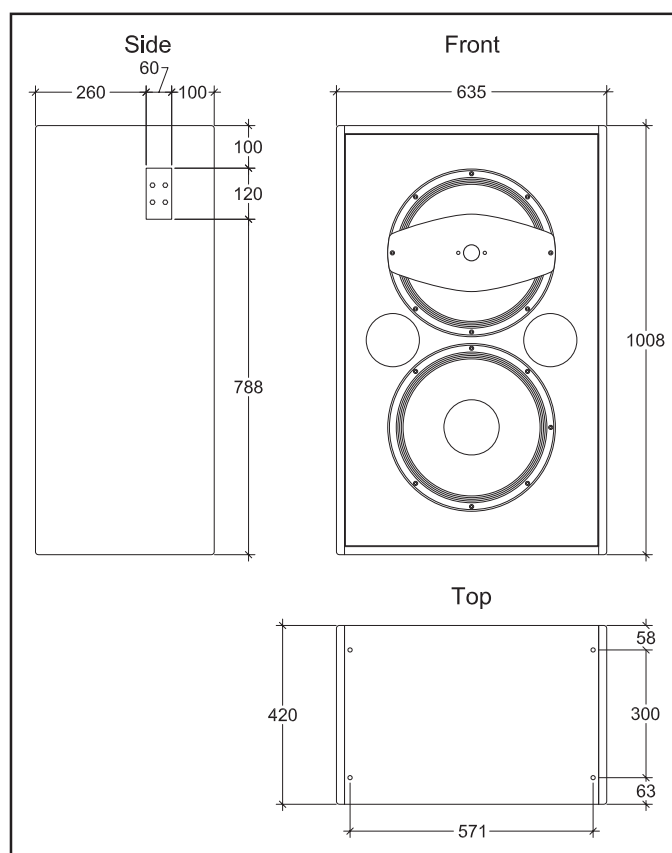
This speaker finds its best application as the main component of an L-C-R system in small/medium cinemas.

The system requires adequate amplification and external processing to protect the components from high input signals and low frequencies and to achieve the best performance.



## MOUNTING INSTRUCTIONS

This system can be stacked on the ground or on any stable support.





Outline carries out on-going research for product improvement. New materials, manufacturing methods and design upgrades are introduced to existing products without prior notice as a routine result of this philosophy. For this reason, any current Outline product may differ in some aspect from its description, but will always equal or exceed the original design specifications unless otherwise stated.

© Outline 2017  
Operating manual product code: Z OMMV2CX  
Release: 170925  
Printed in Italy