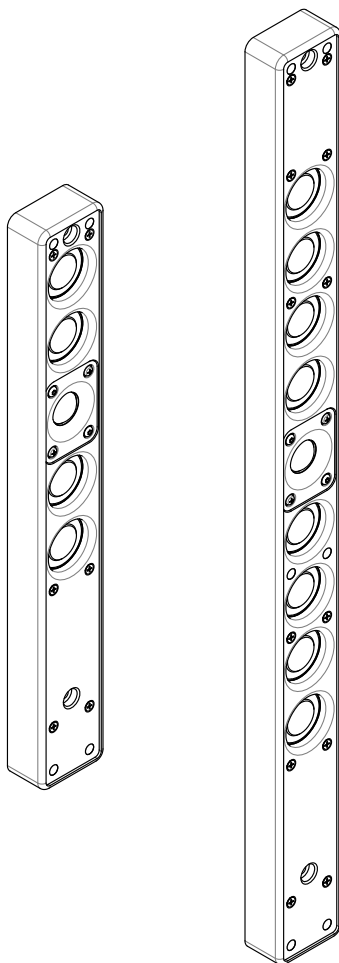


ROUTINE

Λi41 - Λi81

Column Loudspeaker



USER MANUAL

SAFETY REGULATIONS

In order to avoid risks for the user's and other people's safety, as well as annulling the warranty, it is advisable to read the suggestions in this section for correct use of the product.

The user must assume the responsibility for making sure that the use of any rigging system and its components in any particular circumstance or venue conform to all applicable laws and regulations in force at the time.

This unit was designed as part of a sound reinforcement or audio recording system.


Any use other than that foreseen by the manufacturer is carried out under the sole responsibility of the user.

- The unit must ONLY be connected to the amplified output of an amplifier, a powered mixer or another unit with this type of output (e.g. a self-powered loudspeaker enclosure with an amplified auxiliary output). A suitable power cable in compliance with current safety norms must be used to connect the unit.
- The amplifier connected to the unit must only

be switched on after having connected and switched on all the other components of the sound reinforcement/recording system, to avoid annoying noises that can sometimes damage the loudspeakers.


- The unit must only be moved when the cables are disconnected.
- Only dedicated accessories, specifically designed for the system, or any standard accessories foreseen may be used when installing.
- The mechanical operation of the product and the accessories used must be checked periodically.
- This unit produces high sound pressure levels that can damage hearing if listened to under incorrect conditions.
- The unit must only be opened and/or repaired by specialist staff.
- For any requirements of a technical nature, contact OUTLINE or authorized staff.

DISPOSAL OF WASTE MATERIALS

 The product is designed and manufactured with high quality materials and components, which can be recycled and reused. When this symbol of the crossed "wheeler" bin is attached to a product, it means that the product is covered by the European Directive 2012/19/EU and successive amendments. This means that the product must NOT be disposed of with other household-type waste.

Users are responsible for the disposal of their electric and electronic equipment, consigning it to an approved disposal facility. For further information on where it is possible to send equipment for recycling, contact your local distributor. Correct disposal of the old product will help to prevent potential negative consequences for the environment and people's health.

CONFORMITY

 All the Outline electroacoustic and electronic devices are in conformity with the provisions of EC/EU directives (as stated in our CE declaration of conformity).

The CE declaration of conformity is attached to the product warranty certificate and is shipped with the product.

SYSTEM DESCRIPTION

The Ai41 and Ai81 are 2-way passive ultra-slim column loudspeakers specifically designed to ensure a minimal-discreet visual impact and an elegant design for an easy and seamlessly layout integration while ensuring the sound quality for which Outline has always been recognized.

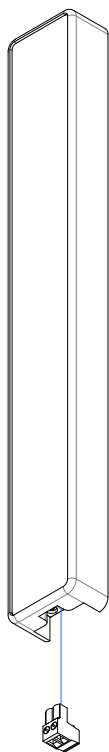
These tiny, modular, externally powered loudspeakers provide the best performance when installed on a flat surface. Ai41 and Ai81 feature four and eight 1.3" neodymium magnet driver respectively and one 0.7" treated silk dome tweeter producing a wide nominal dispersion and impressive maximum SPL.

Also, a passive crossover (manufactured with top-grade miniature components) takes care to split the LF and HF and provides protection for the drivers.

All the above enclosed in a compact, refined and elegant design.

The cabinet, in HCDF (Hydrophobic Compact Density Fiber), is coated with polyurethane paint ensuring the correct operation even in the toughest places; while the grill, made of galvanized steel, features an epoxy powder coating. Custom RAL colour options are available to perfectly match any architectural layout.

AMPLIFIER CONNECTION



Ai column loudspeakers have a passive crossover, therefore the unit requires just one amplifier channel.

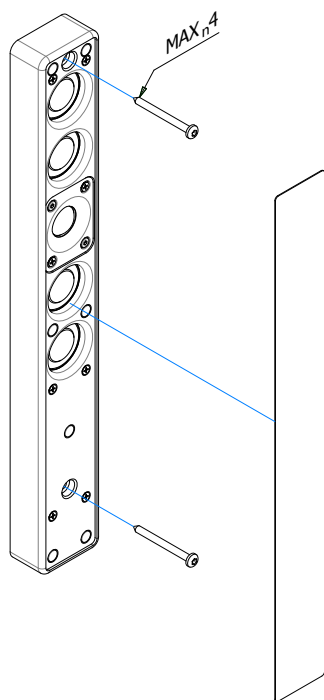
The connections are available on a 2-pin Euroblock socket. The amplified signal shall be fed following the polarity sign on the connector (+/-). Use cables with a maximum cross-section of 4 mm² (AWG 11).

The system shall be used with the suggested Outline amplifier and presets DSP.

MOUNTING INSTRUCTIONS

This system offers more than one way to install the loudspeaker as needed.

To install the column either on wall or on a flat surface there are two through holes dedicated as



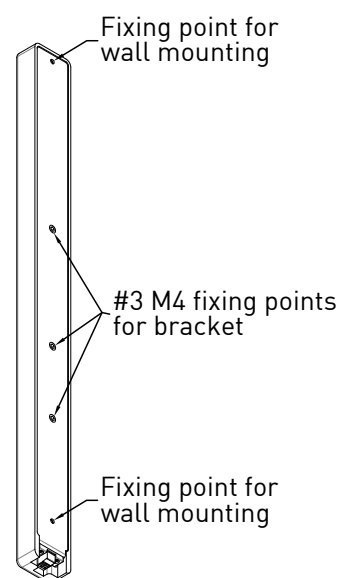
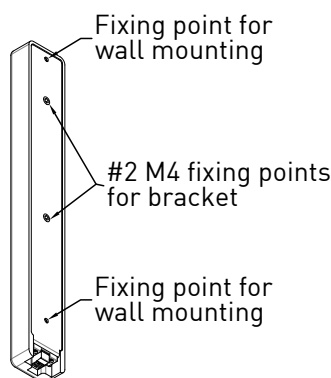
shown in the figure below.

For this application, do not use screws with diameter greater than 4 mm.

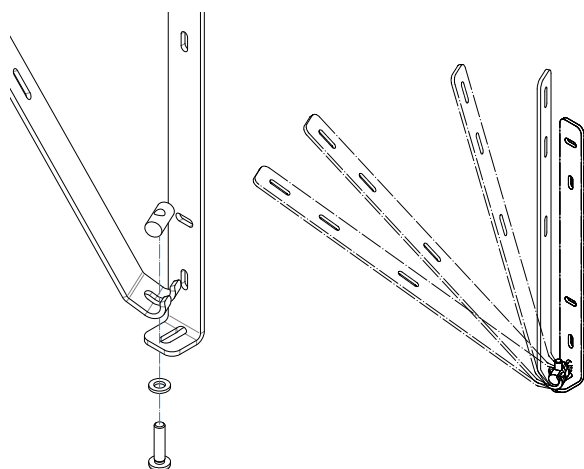
Proceed as follows:

- Remove the grill, held by magnets,
- mark the points on the affected surface,
- create the fixing points,
- fix the cabinet,
- reposition the grill.

The Ai 41 and Ai 81 feature also two and three M4 fixing point on the rear panel respectively, that allow to use proper accessories to mount the column.

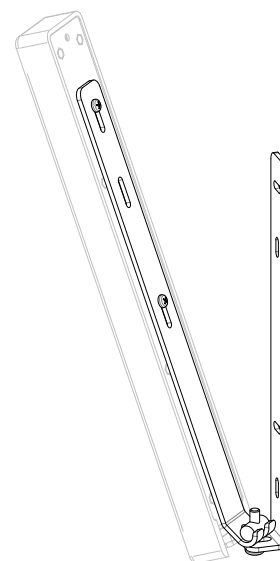


The AIWALL01 is a tiltable bracket for applications where a specific aiming is required or the surface does not allow wall mounting.



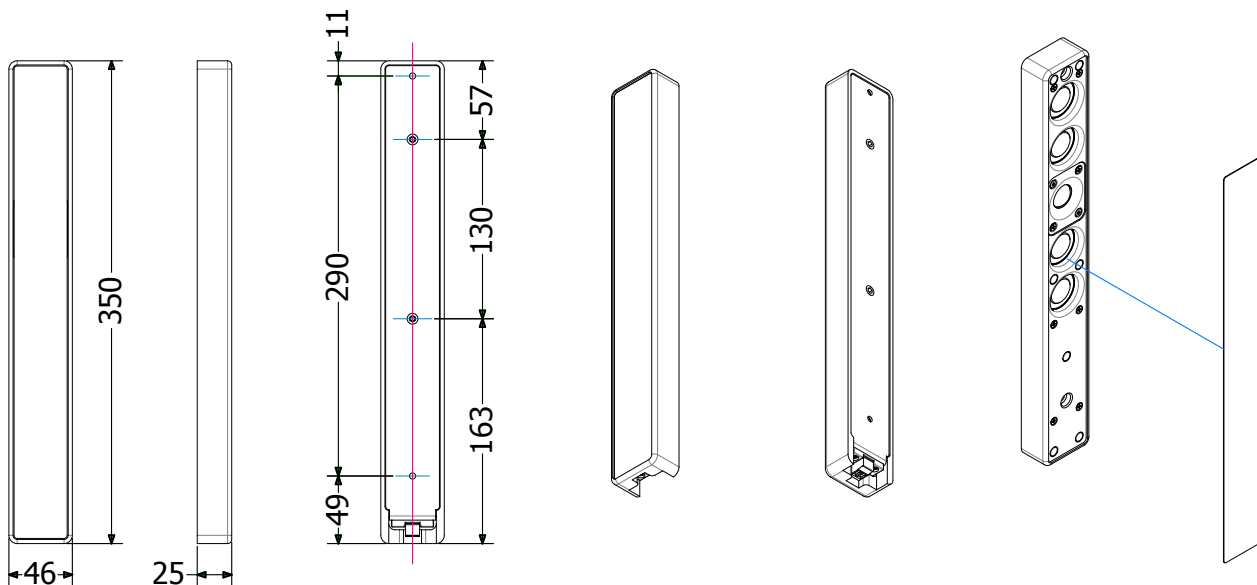
To mount the bracket follow this procedure:

- Unscrew the two parts removing the pin,
- mount the wall plate (using the guides to make the fixing points),
- attach the cabinet to the other plate (using the dedicated points on the rear panel),
- join the two parts together with the pin, positioning the column in the desired position.

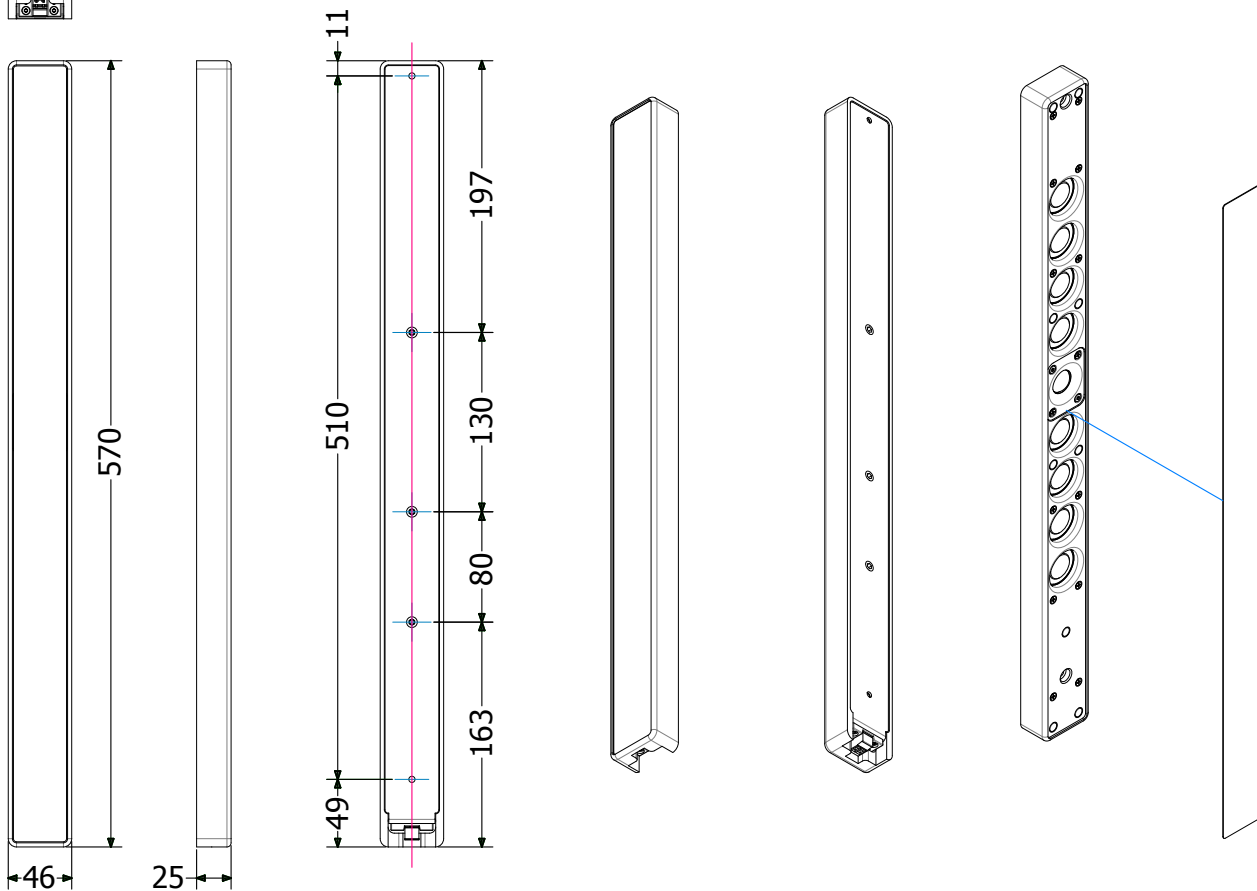


OVERALL DIMENSIONS

Λi 41



Λi 81



TECHNICAL SPECIFICATIONS

Ai 41

Ai 81

PERFORMANCE SPECIFICATIONS

| | | |
|--------------------------------|-----------------|-----------------|
| Frequency Response (-10 dB) | 280 Hz - 20 kHz | 300 Hz - 20 kHz |
| Nominal Dispersion (H) | 160° | 160° |
| Nominal Dispersion (V) | 60° | 40° |
| Impedance (Nom / Min) | 8 Ω / 9.2 Ω | 16 Ω / 16.6 Ω |
| Watt AES (Continuous / Peak) * | 10 W / 160 W | 20 W / 320 W |
| Maximum SPL Output ** | 107.5 dB | 112 dB |

* according to AES2-2012 (+12 dB) standard

** calculated using +12 dB Crest Factor signal (AES2-2012), Half space

PHYSICAL

| | | |
|---------------------|--|--|
| Component Low | 4 x 1.3" NdFeB Full Range driver | 8 x 1.3" NdFeB Full Range driver |
| Component High | 0.7" treated silk dome tweeter | 0.7" treated silk dome tweeter |
| Connector | 2-pin Euroblock | 2-pin Euroblock |
| Cabinet Material | HCDF (Hydrophobic Compact Density Fiber) | HCDF (Hydrophobic Compact Density Fiber) |
| Cabinet Finish | Black or White textured polyurethane paint (overpainted RAL colors on request) | Black or White textured polyurethane paint (overpainted RAL colors on request) |
| Grill | Epoxy powder coated | Epoxy powder coated |
| Installation points | 2 through holes diam. 4 mm on front / 2 x M5 on back | 2 through holes diam. 4 mm on front / 3 x M5 on back |
| Height | 350 mm - 13 6/8" | 570 mm - 22 4/8" |
| Width | 46 mm - 1 6/8" | 46 mm - 1 6/8" |
| Depth | 25 mm - 1" | 25 mm - 1" |
| Weight | 0.6 kg - 1.3 lb | 0.85 kg - 1.85 lb |

APPENDIX - PERIODIC CONTROLS

All the loudspeakers, before the shipment, are fully tested at the end of the production line, but before the system is installed an overall check shall be performed to ensure that the system has not been

damaged during the shipment. Periodic controls shall be performed at regular time intervals. The following table represents an ideal check.

| Loudspeaker Serial Number: | | | | Position: | | | | |
|----------------------------|--|--|--|-----------|--|--|--|--|
| Date | | | | | | | | |
| Transducers Impedance | | | | | | | | |
| Loudspeaker cabinet | | | | | | | | |
| Loudspeaker grills | | | | | | | | |
| Screws | | | | | | | | |
| Additional notes | | | | | | | | |
| Signature | | | | | | | | |



Outline carries out on-going research for product improvement. New materials, manufacturing methods and design upgrades are introduced to existing products without prior notice as a routine result of this philosophy. For this reason, any current Outline product may differ in some aspect from its description, but will always equal or exceed the original design specifications unless otherwise stated.

© Outline 2021
Operating manual product code: Z OMAi
Release: 20211004
Printed in Italy