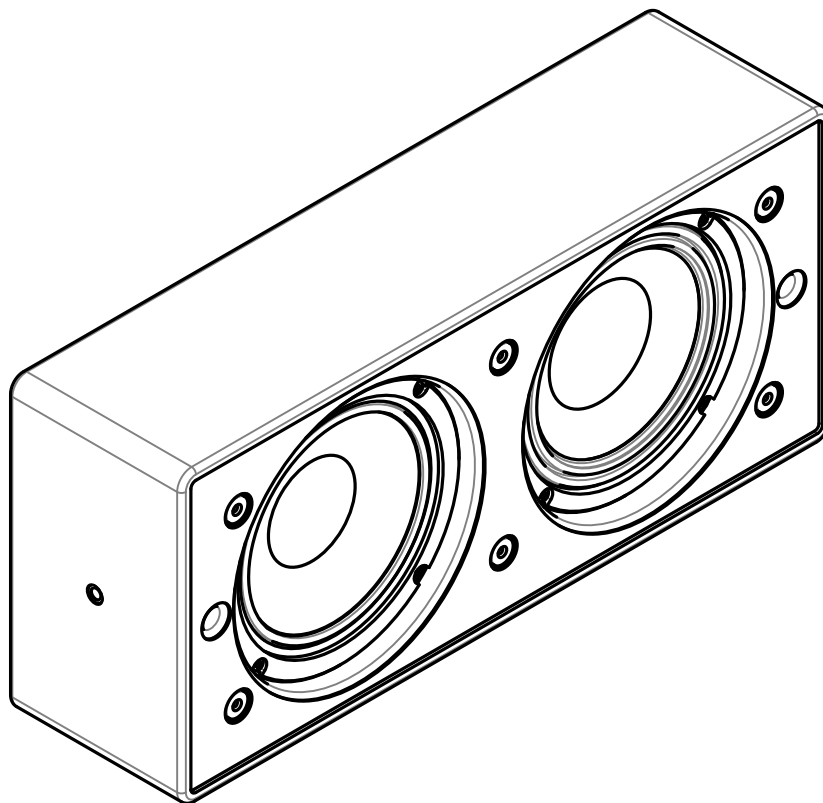


ROUTINE

AS6

Subwoofer system



USER MANUAL

SAFETY REGULATIONS

In order to avoid risks for the user's and other people's safety, as well as annulling the warranty, it is advisable to read the suggestions in this section for correct use of the product.

The user must assume the responsibility for making sure that the use of any rigging system and its components in any particular circumstance or venue conform to all applicable laws and regulations in force at the time.

This unit was designed as part of a sound reinforcement or audio recording system.


Any use other than that foreseen by the manufacturer is carried out under the sole responsibility of the user.

- The unit must ONLY be connected to the amplified output of an amplifier, a powered mixer or another unit with this type of output (e.g. a self-powered loudspeaker enclosure with an amplified auxiliary output). A suitable power cable in compliance with current safety norms must be used to connect the unit.
- The amplifier connected to the unit must only

be switched on after having connected and switched on all the other components of the sound reinforcement/recording system, to avoid annoying noises that can sometimes damage the loudspeakers.


- The unit must only be moved when the cables are disconnected.
- Only dedicated accessories, specifically designed for the system, or any standard accessories foreseen may be used when installing.
- The mechanical operation of the product and the accessories used must be checked periodically.
- This unit produces high sound pressure levels that can damage hearing if listened to under incorrect conditions.
- The unit must only be opened and/or repaired by specialist staff.
- For any requirements of a technical nature, contact OUTLINE or authorized staff.

DISPOSAL OF WASTE MATERIALS

 The product is designed and manufactured with high quality materials and components, which can be recycled and reused. When this symbol of the crossed "wheelie" bin is attached to a product, it means that the product is covered by the European Directive 2012/19/EU and successive amendments. This means that the product must NOT be disposed of with other household-type waste.

Users are responsible for the disposal of their electric and electronic equipment, consigning it to an approved disposal facility. For further information on where it is possible to send equipment for recycling, contact your local distributor. Correct disposal of the old product will help to prevent potential negative consequences for the environment and people's health.

CONFORMITY

 All the Outline electroacoustic and electronic devices are in conformity with the provisions of EC/EU directives (as stated in our CE declaration of conformity).

The CE declaration of conformity is attached to the product warranty certificate and is shipped with the product.

SYSTEM DESCRIPTION

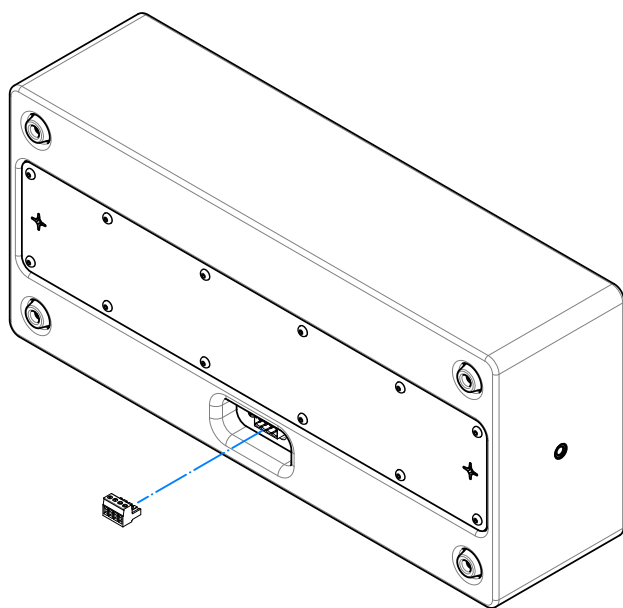
AS6 subwoofer system has been specifically designed to extend the architectural series low-end. Featuring high-grade components and the same research for detail and design that distinguishes this series, the AS6 ensures equal tonal balance and voicing and delivers deep and agile, pristine bass-end whether used in as home cinema or a stereo system.

Its design features a 6" high-power woofer and a passive radiator (114 dB max SPL down to 42 Hz), offering the advantage of being able to faithfully reproduce the lowest frequencies while keeping an ultra-low-profile dimension to match any architectural need.

The subwoofer can be used either floor standing or suspended with a dedicated bracket (sold separately), providing the AS6 with an even more versatile installation option.

Made of HCDF (Hydrophobic Compact Density Fiber), by default it is coated with black or white textured polyurethane paint that ensures toughest places operation and a very stylish and discreet look. While the grill, made of galvanised steel, features an epoxy powder coating to protect the front of the loudspeaker. Additionally, custom RAL colour options are available for perfect and seamless integration with any venue layout.

AMPLIFIER CONNECTION



AS6 is using one 6" woofer and one 6" passive diaphragm.

The unit requires just one amplification channel and the connections are available on a 4-pin Euroblock socket. The amplified signal shall be fed following the polarity sign on the connector (+/-).

Use cables with a maximum cross-section of 4 mm² (AWG 11).

The system shall be used with the suggested Outline amplifier and presets DSP.

MOUNTING INSTRUCTIONS

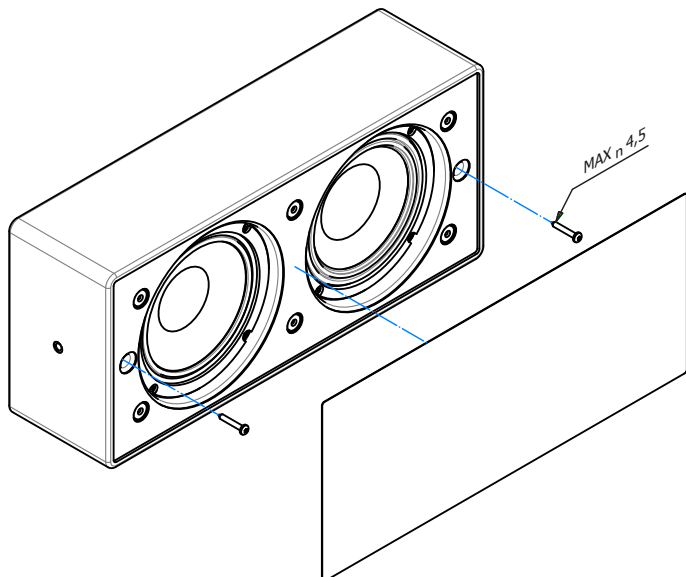
AS6 cabinet features two through holes, as shown in the figure, to install the box either on wall or on a flat surface.

For this application, do not use screws with diameter greater than 4.5 mm.

Proceed as follows:

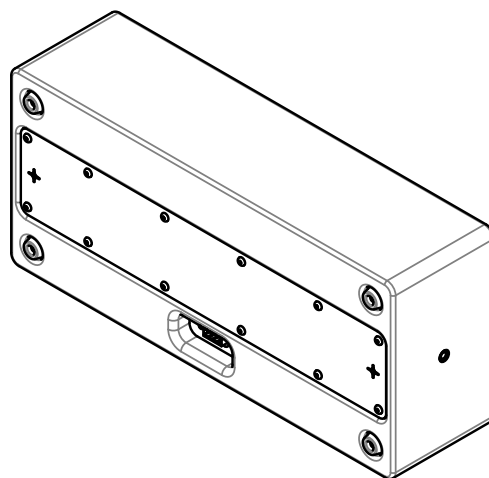
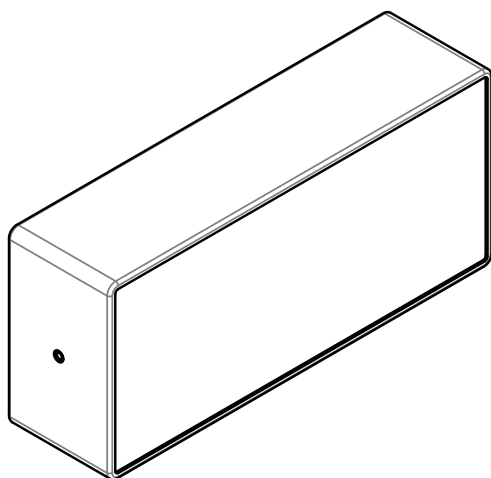
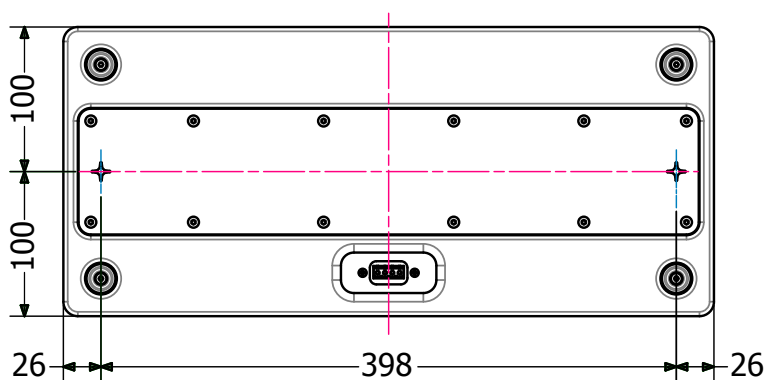
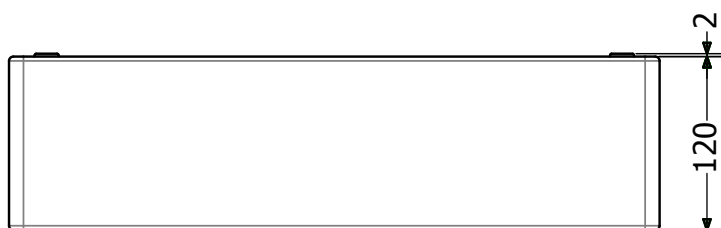
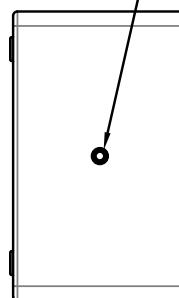
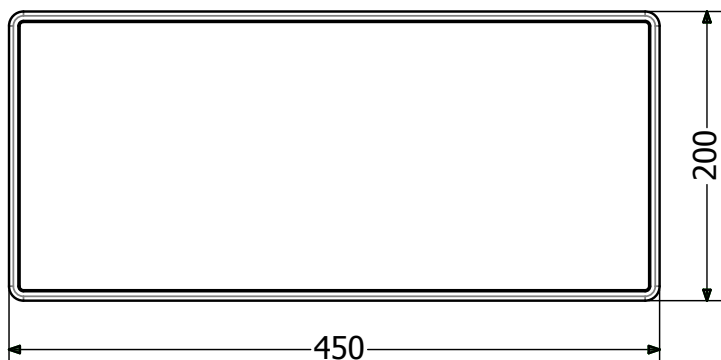
- Remove the grill, held by magnets,
- mark the points on the affected surface,
- create the fixing points,
- fix the cabinet,
- reposition the grill.

There are also two M6 threaded inserts, one on each side, which allow to properly use rigging bracket or other accessories.



OVERALL DIMENSIONS

M6 FIXING POINT
(also on opposite side)



TECHNICAL SPECIFICATIONS

TECHNICAL SPECIFICATIONS

Frequency response (-10dB)	42 Hz - 350 Hz
Nominal Dispersion	Quasi-omnidirectional
Impedance (Nom/Min)	8 Ω / 8.6 Ω
Watt AES (Continuous/Peak) *	150 W / 1500 W
Maximum SPL Output **	114 dB

* according to AES2-2012 (+12 dB) standard

** calculated using +12 dB Crest Factor signal (AES2-2012)

PHYSICAL

Components	6" woofer + 6" passive radiator
Connector	4-pin Euroblock
Cabinet Material	HCDF (Hydrophobic Compact Density Fiber)
Cabinet Finish	Black or White textured polyurethane paint (overpainted RAL colors on request)
Grill	Epoxy Powder coated steel grill
Installation points	2 through holes diam. 4.5 mm on front + 2 x M6 on side
W x H x D	450 mm - 17 6/8" x 200 mm - 7 7/8" x 120 mm - 4 6/8"
Weight	6.5 Kg - 14.3 lb

APPENDIX - PERIODIC CONTROLS

All the loudspeakers, before the shipment, are fully tested at the end of the production line, but before the system is installed an overall check shall be performed to ensure that the system has not been

damaged during the shipment. Periodic controls shall be performed at regular time intervals. The following table represents an ideal check.

Loudspeaker Serial Number:	Position:							
Date								
Transducers Impedance								
Loudspeaker cabinet								
Loudspeaker grills								
Screws								
Additional notes								
Signature								



Outline carries out on-going research for product improvement. New materials, manufacturing methods and design upgrades are introduced to existing products without prior notice as a routine result of this philosophy. For this reason, any current Outline product may differ in some aspect from its description, but will always equal or exceed the original design specifications unless otherwise stated.

© Outline 2021
Operating manual product code: Z OMAS6
Release: 20210930
Printed in Italy