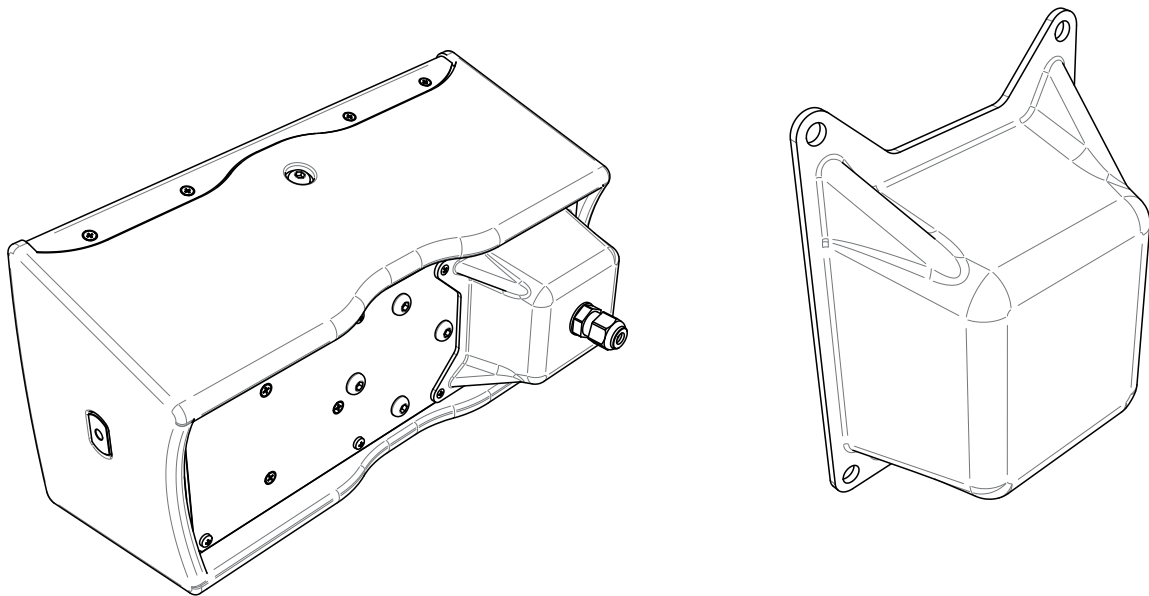




WPCON-03

Weatherproof cable protection



USER MANUAL

SAFETY REGULATIONS

Please read this manual carefully and in its entirety. It contains important information regarding safety issues, including guidelines for general safe use of rigging systems as well as advisories on government regulations and liability laws. The suspension of large, heavy objects in public places is subject

to numerous laws and regulations at the national/federal, state/provincial, and local levels. The user must assume the responsibility for making sure that the use of any rigging system and its components in any particular circumstance or venue conform to all applicable laws and regulations in force at the time.


GENERAL SAFETY RULES

- Carefully read this manual in all its parts
- Respect the working load limits and maximum configurations of the elements and of any third-party component (such as suspension points, motors, rigging accessories, etc...)
- Do not incorporate any accessory not provided by Outline; all damaged or defective components must be replaced only by equivalent parts approved by Outline
- Ensure personnel health and safety, ensure that no one is standing under the system during the installation, ensure that all personnel involved in the installation are equipped with personal safety devices
- Always double check that the elements are correctly connected before suspending the system.

The rigging elements are easy to use, however the installation shall be carried out only by qualified personnel that are familiar with the rigging techniques, safety recommendations and with the instructions described in this manual.


All mechanical components are subject to wear and tear over prolonged use as well as corrosive agents, impacts or inappropriate use. For this reasons users have the responsibility to adopt and adhere to a schedule of inspections and maintenance. Key components (screws, connecting pins, welded points, rigging bars) must be inspected before every use. Outline strongly recommends to carefully inspect the system components at least once a year, reporting in a written document the date, the name of the inspector, the points checked and any anomalies discovered.

DISPOSAL OF WASTE MATERIALS

 The product is designed and manufactured with high quality materials and components, which can be recycled and reused. When this symbol of the crossed "wheeled" bin is attached to a product, it means that the product is covered by the European Directive 2012/19/EU and subsequent amendments. This means that the product must NOT be disposed of with other household-type waste.

Users are responsible for the disposal of their electric and electronic equipment, consigning it to an approved disposal facility. For further information on where it is possible to send equipment for recycling, contact your local distributor. Correct disposal of the old product will help to prevent potential negative consequences for the environment and people's health.

CONFORMITY AND WARRANTY

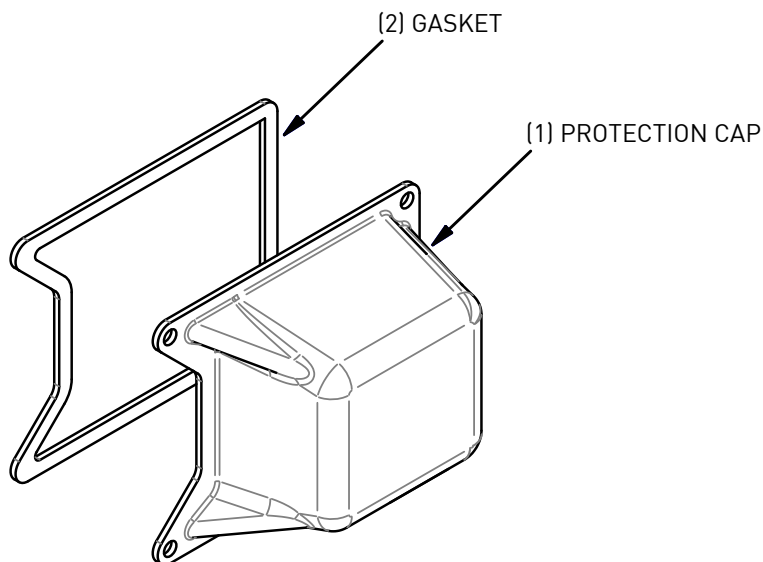
 All Outline electro-acoustic and electronic devices are in conformity with the provisions of EC/EU directives (as stated in our CE declaration of conformity).

The CE declaration of conformity is attached to the product warranty certificate and is shipped with the product.

DESCRIPTION

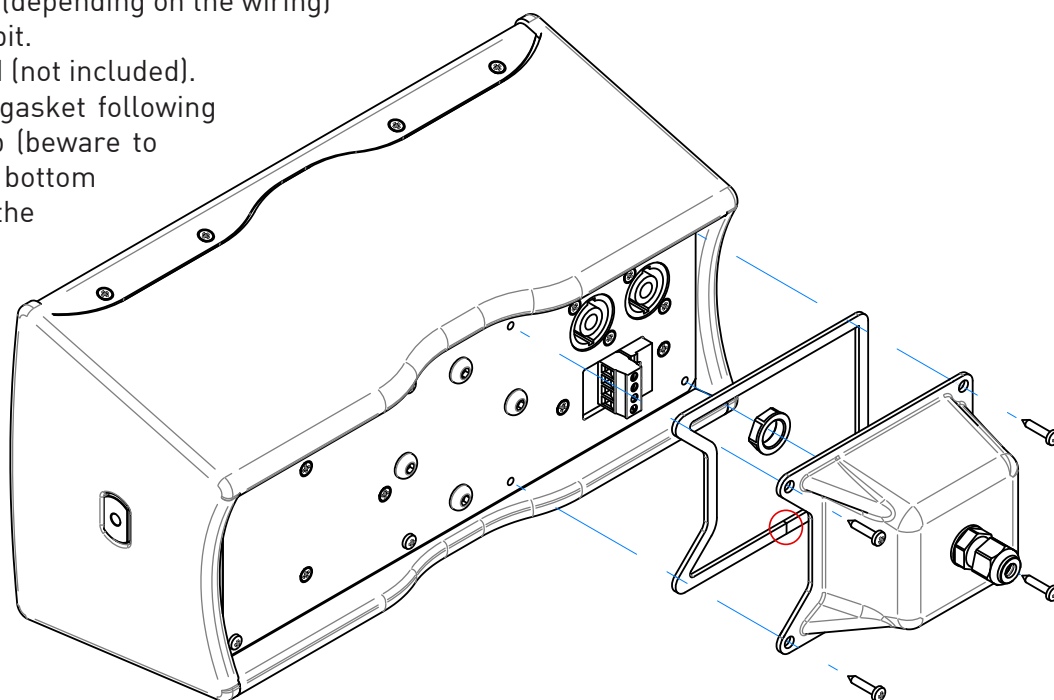
The weatherproof cable protection WPCON-03 is suitable for Vegas 24.

The kit consists of a moulded protection cap (1) and a neoprene gasket (2) (see figure below). The cable gland and the cable connectors are not included.



MOUNTING INSTRUCTIONS

1. Drill one or two holes (depending on the wiring) using a holesaw drill bit.
2. Mount the cable gland (not included).
3. Attach the neoprene gasket following the outline of the cap (beware to start and finish on the bottom edge, as shown in the figure with a red circle).
4. Unscrew the four corresponding screws on the rear panel.
5. Pass the wires through the cable gland and plug in the connector before installing the accessory.
6. Secure the cap using the four screws of the rear panel unscrewed earlier.





Outline carries out on-going research for product improvement. New materials, manufacturing methods and design upgrades are introduced to existing products without prior notice as a routine result of this philosophy. For this reason, any current Outline product may differ in some aspect from its description, but will always equal or exceed the original design specifications unless otherwise stated.

© Outline 2022
Operating manual product code: Z OMWPCON-03
Release: 20220531
Printed in Italy