

TECHNICAL SPECIFICATIONS

Frequency Response	
<i>(-10 dB)</i>	48Hz ÷ 18.5kHz
<i>(±3 dB)</i>	75Hz ÷ 17.5kHz
Average Dispersion	
<i>500Hz÷10kHz</i>	87° x 67° (HxV)
<i>>5 kHz</i>	77° x 30° (HxV)
<i>500Hz÷4kHz</i>	93° x 83° (HxV)
Impedance (Ohms)	<i>Tot (min)</i> 8 (6.4 @ 240Hz)
Max Sensitivity (dB SPL 1W 1m)	93 (<i>Free-field</i>) 99 (<i>Half-space bass only</i>)
Power - Watts AES	<i>Cont. Peak</i> 250 1000
Max Output Level (calculated)	<i>Cont. Peak</i> 117 123 (<i>Free-field</i>) 123 129 (<i>Half-space bass only</i>)
Loudspeakers and Loading	LF: 1x8" vented high-pass box HF: 1x1" horn-loaded



PHYSICAL PROPERTIES

Product type	Multi-purpose Design - Wide-range loudspeaker system: two-way/ two-speaker, high power, short throw, with built-in passive filter.
Enclosure Material and Finish	Trapezoidal enclosure in 15 mm phenolic glued birch plywood with internal bracing, rounded corners and integral handle. Scratchproof paint.
Standard Accessories	Highly resistant vibration-free protective perforated steel grill; 1 handle; flying points with nutplates. "Stack Align" system; Neutrik Speakon NL4FC connector.
Protection	Electronic, only when the dedicated Outline processors are used with limiter or EQ functions. LF fast acting fuse and LC network HF fast acting fuse and RLC network
Optional Accessories	Brackets for wall or ceiling mounting.
Connectors	2xNL4 Speakon in parallel: LF/HF Pin 1+ pos ; Pin 1- neg
Weight (kg)	
<i>Net (gross)</i>	8 (9)
Dimensions (cm)	
<i>Height (with packing)</i>	38.5 (43)
<i>Width (with packing)</i>	23.5 (28)
<i>Depth (with packing)</i>	26 (30)

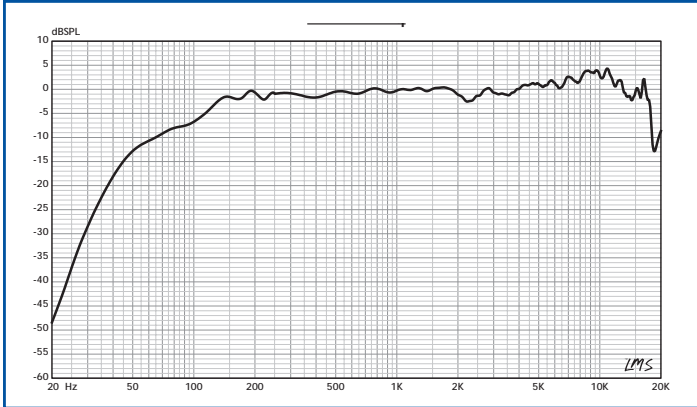
FEATURES

- Ultra-compact powerful (129dB peak SPL@ 1m) loudspeaker system with an 8" (LF) woofer and a 1" (HF) compression driver; ferro fluid cooled coil
- 2-way design (8 Ohm) with built-in passive filter for easy low-cost powering by means of just one amplifier channel
- Very low feedback sensitivity considering the cabinet's dimensions
- Extremely linear frequency response and phase response of just ±45° from 250 Hz to 20 kHz
- High spoken word "projection" for precise reproduction with high intelligibility
- Designed for use as a stage monitor in a horizontal position (with two angles), as is the entire DVS range
- The "Stack Align" system increased the throw of two stacked enclosures and aligns the acoustic centres
- Internally braced cabinet for the utmost sturdiness, unaffected by sound "colouring" due to resonance and fitted with numerous mounting points for rapid flying or stand mounting

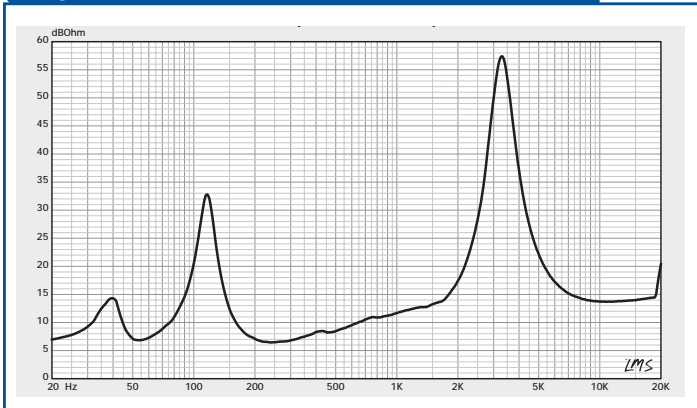
APPLICATIONS

- Medium-power live applications
- Speech reinforcement in theatres and TV studios
- "Near-field" monitoring for recording studios
- High-quality distributed systems in clubs, pubs, music-cafés, dance&dinner clubs etc.
- Conference halls

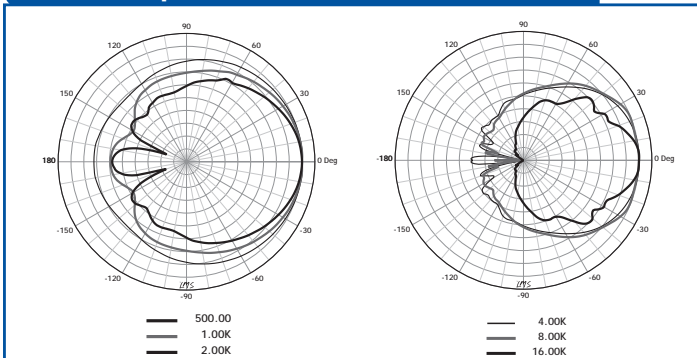
frequency response



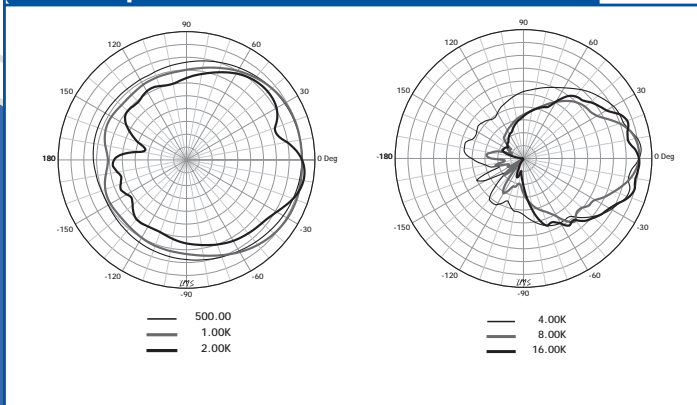
impedance



horizontal polars

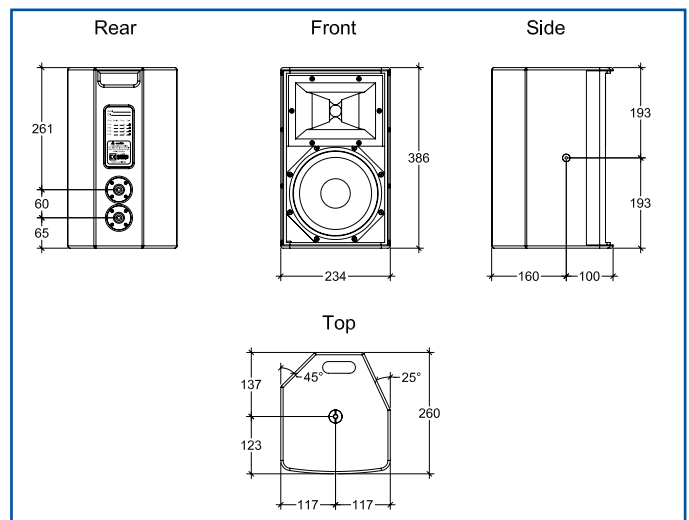


vertical polars



DESCRIPTION

Wide range 2-way loudspeaker system comprising a 20cm high power handling woofer for low and mid frequencies, and a 1" compression driver for high frequencies, ferro fluid cooled and loaded with a controlled directivity horn. The DVS 8 system has phase inversion low frequency loading, and a tuned enclosure. The high frequency driver is loaded with a horn that enables the enclosure to be used indistinctly (with excellent results) in either a vertical or a horizontal position, as it has uniform directivity for the majority of the audio frequency range, with average dispersion of 93° H x 83° V in the spoken word frequency range (500Hz ÷ 4kHz) and average wide-range sound coverage of 87° H x 67° V. In spite of its compact dimensions and thanks to the use of the special high frequency horn, the enclosure, has such limited dispersion on both the horizontal and vertical plane that it features the required characteristic of "projecting" the mid frequency range, ensuring higher intelligibility for the speech it reproduces. A built-in, passive low-loss 2-way filter handles the separation and equalization of the signal before feeding it to the respective loudspeakers. The useable frequency range at -10 dB is from 48 Hz to 18.5 kHz. The frequency response of the complete system, measured on axis (according to AES Standards), is within +/-3dB from 75 Hz to 17.5 kHz, whereas the phase inversion from 250 Hz to 20 kHz is just +/-45°. Powered through the passive filter, the system produces 93 dB SPL on axis at 1 metre, flown in free-field with 1 Watt on input, and is able to produce for a few milliseconds a maximum peak pressure of 123 dB SPL under the same conditions, with 1,000 Watts peak on input. The enclosure is able to handle a maximum overall power of 250 Watts according to AES Standards at a minimum impedance of di 6.4 Ohms. The enclosure's trapezoidal cabinet is built from high quality, phenolic glued Baltic birch plywood, which ensures resistance to damp and bad weather even in outdoor applications. The 15mm. thick plywood structure is further strengthened by bracing glued inside, which also eliminates any resonance of the sides. The external finish is in high quality scratch-resistant black paint. The connectors are 2 Neutrik Speakon NL4, whose contacts are interconnected, to facilitate powering two enclosures in parallel with one amplifier. The 1+ and 1- contacts are for the low frequency section, while 2+ and 2- are for the mid/high section. The enclosure has two threaded 8 mm diameter (M8) mounting points to facilitate either vertical or horizontal flying by means of appropriate (optional) accessories, and other two points to which an adaptor can be fitted for use with an (optional) tripod stand. The top panel is fitted with a steel receptacle that contains a plug (supplied) for aligning an enclosure mounted above (horn to horn), in long-throw configuration ("Stack Align" system). The snap-mounting protective front grille is made from painted steel mesh. The enclosure's commercial name is DVS 8.



loudspeakers

DVS 8

outline

Via L. da Vinci, 56 - 25020 Flero (Brescia) Italy
tel. +39 030 3581351 - fax +39 030 3580431
www.outline.it - e-mail: info@outline.it