

DVS 12

TECHNICAL SPECIFICATIONS

Frequency Response	
<i>(-10 dB)</i>	44Hz ÷ 20kHz
<i>(±3 dB)</i>	70Hz ÷ 20kHz
Average Dispersion	
<i>500Hz÷10kHz</i>	87° x 67° (HxV)
<i>>5 kHz</i>	77° x 30° (HxV)
<i>500Hz÷4kHz</i>	93° x 83° (HxV)
Impedance (Ohms)	<i>Tot (min)</i> 8 (5 @ 176Hz)
Max Sensitivity (dB SPL 1W 1m)	97 (Free-field) 100 (Half-space bass only)
Power - Watts AES	<i>Cont.</i> Peak 400 1600
Max Output Level (calculated)	<i>Cont.</i> Peak 123 129 (Free-field) 126 132 (Half-space bass only)
Loudspeakers and Loading	LF: 1x12" Vented high-pass box HF: 1x1.41" throat (3" titanium diaphragm), horn-loaded



PHYSICAL PROPERTIES

Product type	Multi-purpose design - Wide-range loudspeaker system: two-way/ two-speaker, high power, short throw, with built-in passive filter.
Enclosure Material and Finish	Trapezoidal enclosure in 15 mm phenolic glued birch plywood with internal bracing, rounded corners and integral handles. Scratchproof paint.
Standard accessories	Highly resistant vibration-free protective perforated steel grill; 2 handles; internal support tube/stand housing; flying points with nutplates. Neutrik Speakon NL4FC connectors.
Protection	Electronic, only when the dedicated Outline processors are used with limiter or EQ functions. LF fast acting fuse and LC network HF fast acting fuse and RLC network
Optional Accessories	Brackets for wall or ceiling mounting.
Connectors	2xNL4 Speakon in parallel: LF Pin 1+ pos ; Pin 1- neg HF Pin 2+ pos ; Pin 2- neg Filter bypass facility enables biamping, ensuring even better performance
Weight (kg)	
<i>Net (gross)</i>	19.5 (21)
Dimensions (cm)	
<i>Height (with packing)</i>	57 (62)
<i>Width (with packing)</i>	35 (40)
<i>Depth (with packing)</i>	35 (39.5)

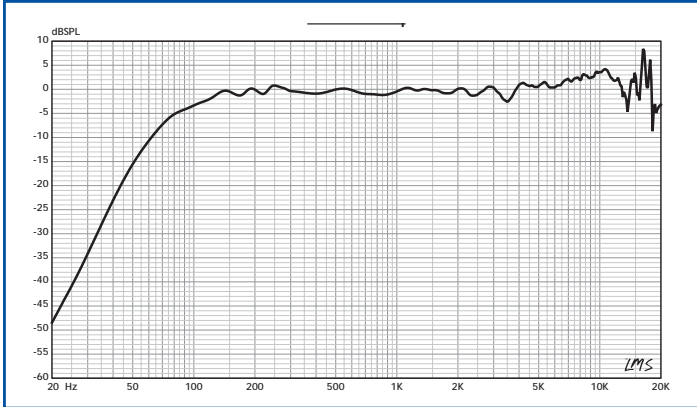
FEATURES

- DVS series high efficiency wide-range loudspeaker enclosure: 2-way system with passive crossover.
- Reflex-loaded 12" woofer and compression driver with titanium diaphragm; horn with controlled directivity and wide dispersion (87° x 67° from 500 to 10000 Hz).
- Trapezoidal cabinet with flying hardware on all panels to meet a wide range of mounting and flying requirements for fixed applications. Receptacle for fitting support stand.
- Built in birch plywood with water-resistant phenolic glue. Waterproof scratch-resistant black paint finish.
- Filter bypass facility enables biamping, ensuring even better performance.
- High SPL (132 dB peak SPL@ 1 m) from ultra-compact dimensions.

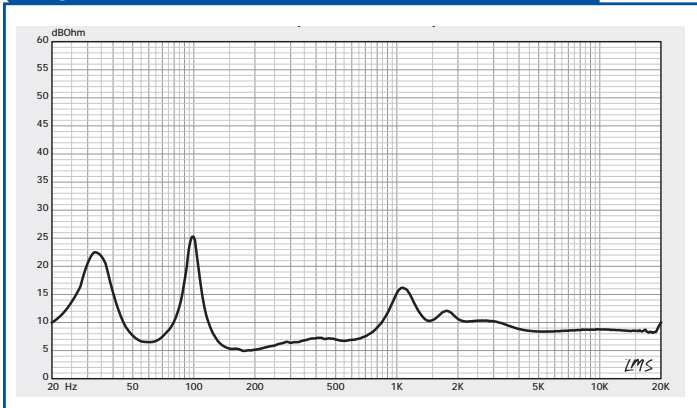
APPLICATIONS

- Applications with groups and bands
- Near-field stage monitoring for musical instruments and vocals
- Acoustic drum monitoring with a dedicated (DVS series) DVS 115 SW subwoofer
- Club and dance venues, used with a subwoofer or low frequency unit for backup
- High quality sound reinforcement in gyms, aerobic/fitness centres etc.
- Even wider high-dynamic application possibilities if used together with the dedicated DVS 115 SW subwoofer.

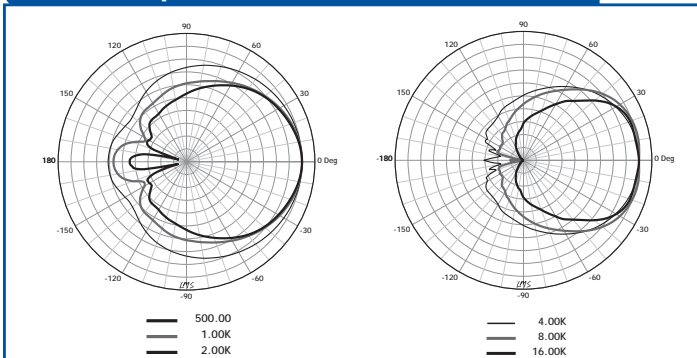
frequency response



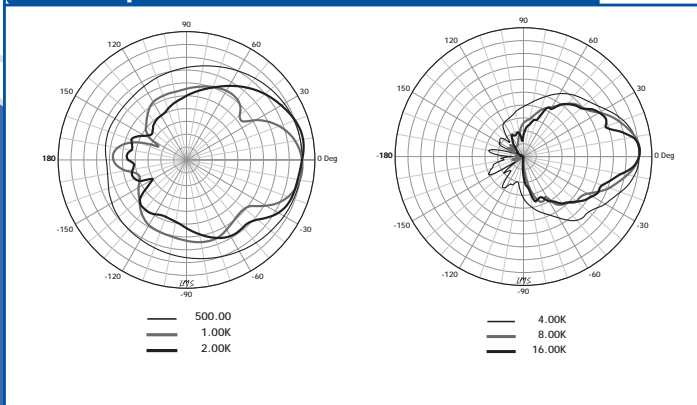
impedance



horizontal polars



vertical polars



DESCRIPTION

Compact 2-way wide-range loudspeaker system with passive low-loss crossover with built-in overload protection. Comprises a 32 cm woofer for low and mid frequencies with a 76mm copper coil and a compression driver, fitted with protection (in series) against incorrect connection. 65mm titanium diaphragm with a 36 mm throat for high frequencies, horn-loaded with controlled directivity and wide dispersion. The enclosure can be mounted on an optional tripod stand, flown from the ceiling and/or positioned on the floor as a stage monitor.

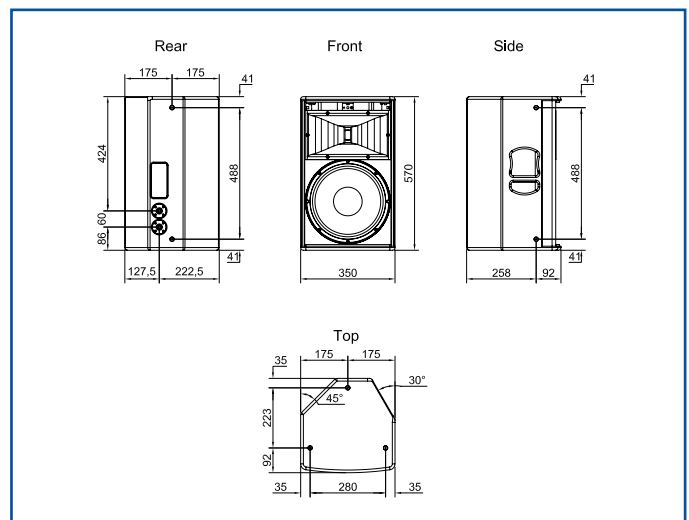
It can be used along with a DVS 115 SW reflex subwoofer system, when the sound to be reinforced features considerable low frequency content, as is normally the case with live music and dance club applications.

The low frequency loading is of the phase inversion type, with the tuned enclosure. The system's uniform directivity has an average dispersion of 93° H x 83° V in the spoken-word frequency range (500Hz ÷ 4kHz) and average wide-range sound coverage is even: 87° H x 67° V from 500 Hz to 10 kHz. The useable frequency range at -10 dB is from 44 Hz to 20 kHz. Measured on axis, according to AES Standards, the frequency response of the complete system is +/-3dB from 70 Hz to 20 kHz. Flown in free-field (according to AES Standards) and driven through the built-in passive filter, it has high average wide-range sensitivity, producing 97 dB SPL 1W/1m, and is able to give a peak sound pressure level of 126 dB SPL in the same acoustic conditions, driven at maximum peak power (1,600 Watts) whereas, at minimum impedance (5 Ohms), it can handle 400 Watts continuous AES. Floor-installed, in 2π conditions, the values of the low frequency section increase by 6 dB SPL with the same driving power, rising to 100 dB SPL 1W/1m, with no less than 132 dB peak under the same measurement conditions.

The enclosure cabinet has a trapezoidal shape and is built from high quality 15 mm. Baltic plywood components. The outer finish is in scratch-resistant, waterproof black paint, and the box is built in phenolic glued birch plywood for outdoor installation applications, even in damp climates.

Connectors are 2 Neutrik Speakon NL4, whose contacts are interconnected, to facilitate the use of two enclosures in parallel. Filter bypass facility enables biamping, ensuring even better performance.

The cabinet has twelve 8mm. (M8) diameter threaded mounting points to facilitate both vertical and horizontal flying by means of the appropriate optional hardware. The bottom of the cabinet has a threaded (M20) steel receptacle, for fitting an optional tubular support or tripod stand; practical integral side handles ensure a safe grip under all conditions. The perforated steel grille on the front of the enclosure is sound-transparent and has a weather-resistant black paint finish. The enclosure's commercial name is DVS 12.



loudspeakers

DVS 12

outline

Via L. da Vinci, 56 - 25020 Flero (Brescia) Italy
tel. +39 030 3581351 - fax +39 030 3580431
www.outline.it - e-mail: info@outline.it