

DVS 115 SW

TECHNICAL SPECIFICATIONS

| | |
|---------------------------------------|---|
| Frequency Response | |
| <i>(-10 dB)</i> | 39Hz ÷ 3.5kHz (sugg. max 150Hz) |
| <i>(±3 dB)</i> | 44Hz ÷ 2.8kHz |
| Average Dispersion | Quasi-omnidirectional |
| Impedance (Ohms) | Tot (min) 8 (6.2 @ 49Hz) |
| Max Sensitivity (dB SPL 1W 1m) | 97,5 (Free-field) 103,5 (Half-space) |
| Power - Watts AES | <i>Cont. Peak</i> 350 1400 |
| Max Output Level (calculated) | <i>Cont. Peak</i> 123 129 (Free-field) 129 135 (Half-space) |
| Loudspeakers and Loading | LF: 1x15" High-pass vented box |



PHYSICAL PROPERTIES

| | |
|--------------------------------------|---|
| Product type | High efficiency, high power system for the reproduction of low frequencies. |
| Enclosure Material and Finish | Rectangular enclosure in 15 mm. Phenolic glued birch plywood with internal bracing, rounded corners and integral handles. Scratchproof paint. Water resistant unit. |
| Standard accessories | Highly resistant vibration-free protective perforated aluminium grill covered in black foam; ready to be fitted with trolley. Neutrik Speakon NL4FC connectors. |
| Speaker Protection | Electronic, only when the dedicated Outline processors are used with limiter or Equalisation functions. |
| Optional accessories | Protective Cover; "Trolley" for easy transport |
| Connectors | 2xNL4 Speakon in parallel Pin 1+ pos ; Pin 1- neg |
| Weight (kg) | |
| <i>Net (gross)</i> | 22 (27) |
| Dimensions (cm) | |
| <i>Height (with packing)</i> | 55 (60) |
| <i>Width (with packing)</i> | 45 (50) |
| <i>Depth (with packing)</i> | 55 (60) |

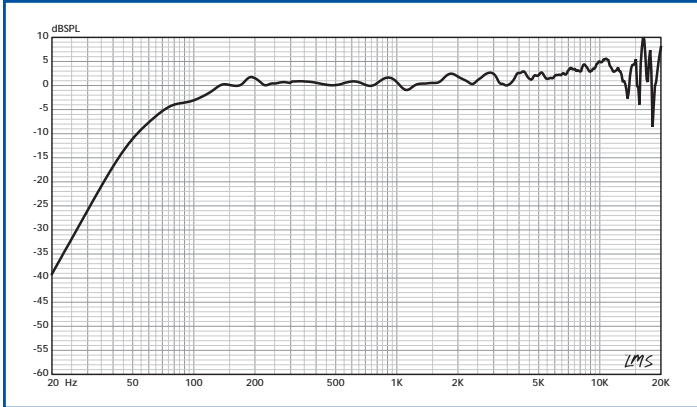
FEATURES

- High efficiency high-power subwoofer with a 15" long-throw cone with NdFeB (Neodymium Iron Boron) magnet and 76 mm voice coil.
- High power handling (1400 Watts AES peak) and maximum sound pressure (135 dB SPL peak at 1 metre).
- Cabinet with internal bracing for utmost sturdiness, free from sound "colouring" due to resonance.
- Optional trolley with sturdy smooth-running wheels facilitates transport, even on relatively uneven surfaces.

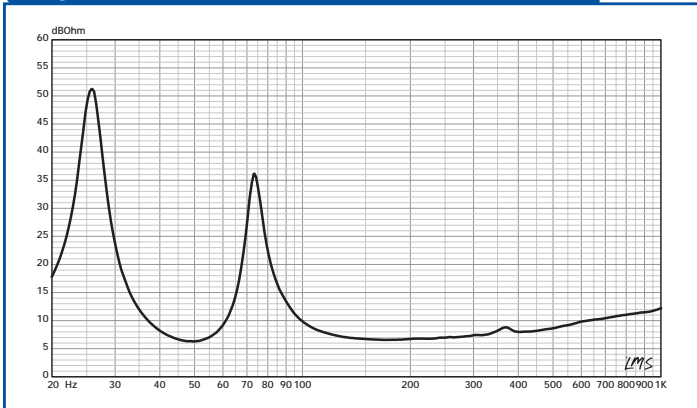
APPLICATIONS

- No-nonsense use in "live" concerts of all sizes, floor or stage mounted and combined with other units of the same type for sound reinforcement of low frequencies.
- High-quality permanent installations in theatres, clubs, indoor sports arenas; an ideal combination for all Outline loudspeaker systems.

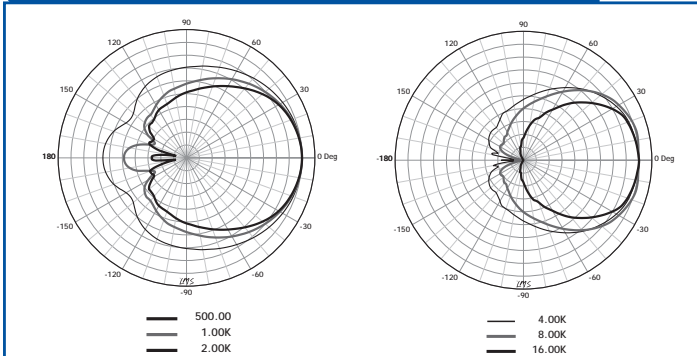
frequency response



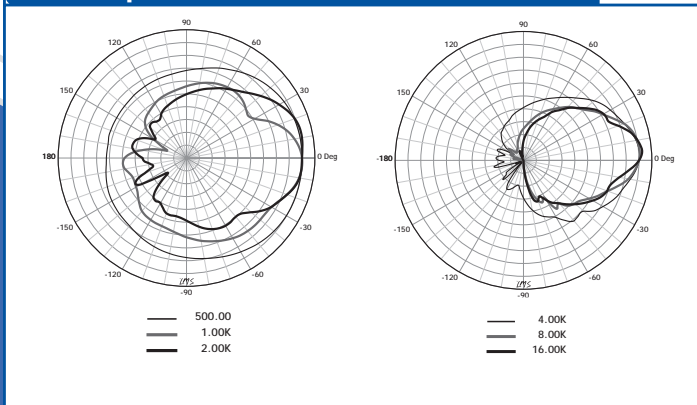
impedance



horizontal polars



vertical polars

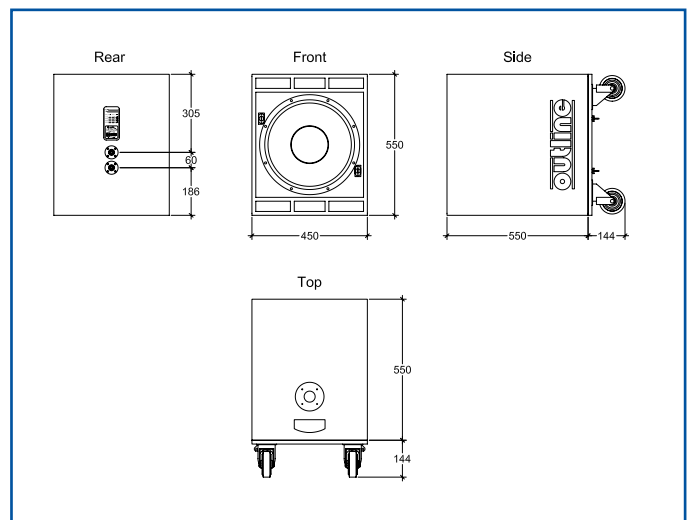


DESCRIPTION

Loudspeaker system suited to high spl reinforcement of low frequencies. Fitted with a 38 cm long-throw woofer. Loading is of the phase inversion type with the enclosure tuned at a rather low frequency by a long port with a medium surface area. The peculiarity of this overall 4th order loading consists in obtaining a wide passband and great extension towards the bottom end of the frequency response. Their useable band is therefore set towards the bottom end of the audio spectrum, as should be the case with subwoofers, and is sufficiently wide to reproduce all types of music. Performance is very high considering the components used, thanks to the careful choice of the reflex alignment and the construction of the cabinet.

With the DVS 115 SW, the useable frequency range at -10dB is from 39Hz to 3500Hz. The response frequency of the complete system measured on axis, according to AES Standards, is +/-3dB from 44Hz to 2800Hz. It gives 97.5 dB SPL on axis at 1 metre, driven in free-field with 1 Watt on input, and is able to give a maximum peak pressure of 123 dB SPL under the same conditions, with 1400 Watts peak on input. In half-space, 6dB is added to these values, which thus reach 103.5 and no less than 135 peak respectively, a really high value, when taking into consideration that it's from a single 38 cm loudspeaker. The DVS 115 SW is able to handle a maximum overall power of 350 Watts according to AES Standards at a minimum impedance of 6.2 Ohms. The rectangular shaped system is built in sturdy phenolic glued 15 mm Baltic birch plywood that is resistant to damp, even in outdoor applications. Inside, as well as the bracing, which stiffens the panels and avoids vibration, the long tuning port also doubles as bracing. The external finish is in high quality scratch-resistant black paint. There are two Neutrik NL4 connectors.

The front is protected by an anti-resonant sound-transparent steel grille. There is a receptacle for mounting the optional support of a satellite (if used); integral handles facilitate handling and an optional trolley, fitted with a set of sturdy smooth-running wheels, facilitates transport, even on uneven surfaces. The enclosure's commercial name is DVS 115 SW.



loudspeakers

DVS 115 SW

outline

Via L. da Vinci, 56 - 25020 Flero (Brescia) Italy
tel. +39 030 3581351 - fax +39 030 3580431
www.outline.it - e-mail: info@outline.it